

1. SPECIFICATIONS:

MODEL NO : KB-405

MOTOR : 1/4HP powerful, single phase.

ELECTRICAL : 220V / 50Hz / 60Hz

FINISH : Excellent enamel painting

BLADES : 31pcs

SLICING CAPACITY : 180 loaves per hour

MACHINE SIZE (L×W×H) : 63×74×73cm

PACKING SIZE (L×W×H) : 68×78×89cm

N.W. : 80 kgs

G.W. : 100 kgs

2. ELECTRICAL CONNECTION:

- Before making electrical connection, please check the specification on the name plate to make sure they agree with those of your electrical service.
- Electrical connections should be made by qualified workman who will observe all applicable safety codes and the national electrical code.

3. INSTALLATION:

Placing the Slicer on a stand or a table and make sure it is seating well. Please put pad underneath the machine if the Slicer is shaking serious while in operation.

4. REPLACEMENT OF THE BLADES:

The blades will become dull after slicing many bread loaves, following is the step for replacing the blades.

● Dismantle the blades

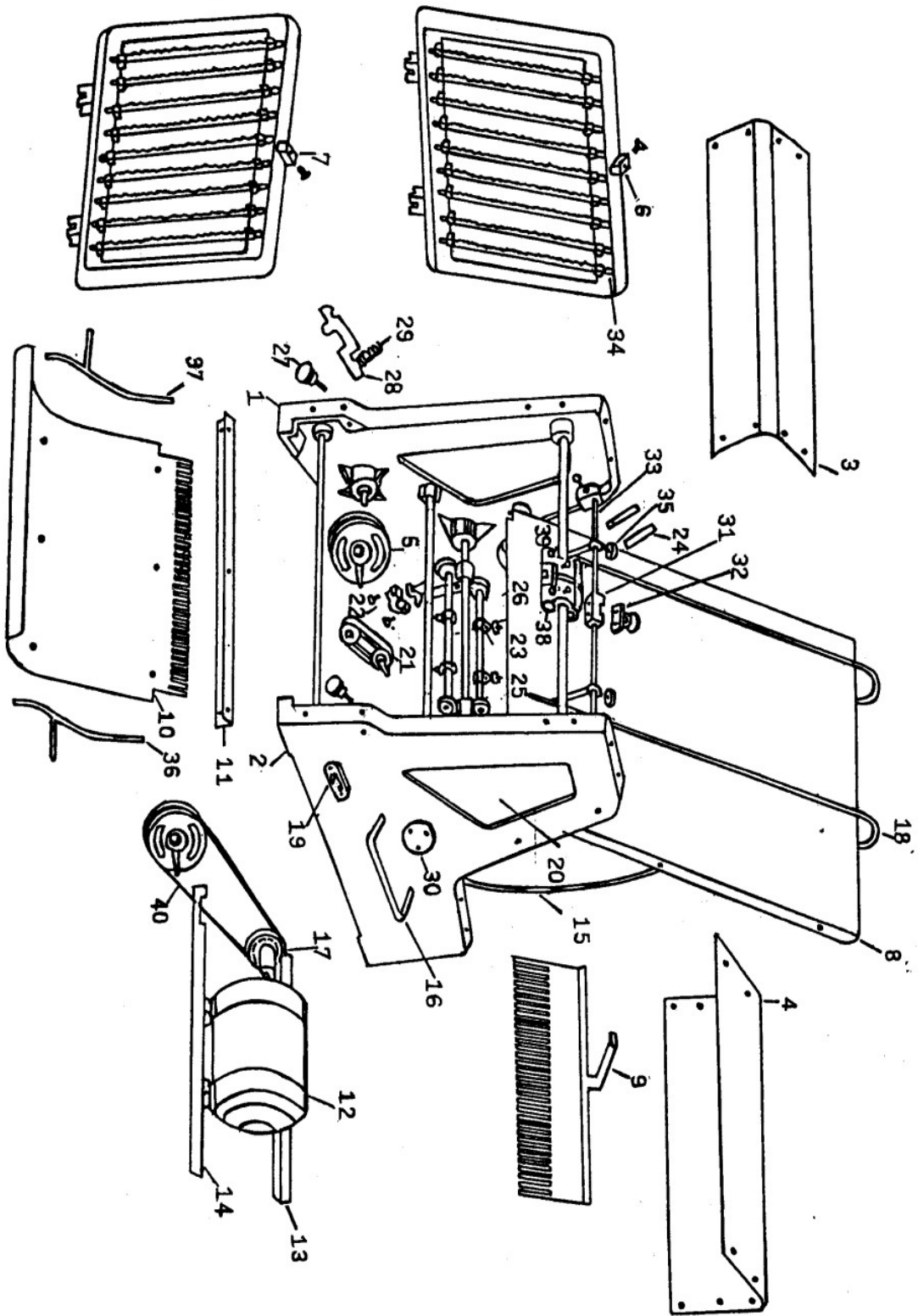
1. Remove Front Cover (3) and Top Cover (4).
2. Remove Outgoing Chute (10).
3. Loosen the screws on Bracket (6) (7) and (23).
4. Remove Guide Rod for Blades (24) and take out the Blades Frame (34).
5. Using a tool named Vise Grip to make the spring shorter by pressing, to remove the blades one by one.

● Remount the blades

1. Mounting back the sharp blades on the Fame (34) one by one after removing the dull blades.
2. Place Blades Frame (34) into original position and insert the Guide Rod for Blades (24).
3. Tighten the screws on Bracket (6) (7) and (23).
4. Fix back the Outgoing Chute (10).
5. Mount back the Front Cover (3) and Top Cover (4).

5. WARNING:

The baker should not put his fingers into the vibrating/slicing blades. As the last loaf bread can not be sliced easily, please make sure not try to push this last loaf bread with finger from the Chute or take it out from front side.



1. Left Wall
2. Right Wall
3. Front Cover
4. Top Cover
5. Pulley
6. Bracket
7. Bracket
8. S/S Chute
9. Comb
10. Outgoing Chute
11. Fixing Angle
12. Motor
13. Holder for Motor
14. Holder for Motor
15. Supporter
16. Ear Ring for Lifting
17. Motor Pulley
18. Guide for Bread
19. Main Switch
20. Window
21. Guide Pulley
22. Screw for Crank
23. Blade Frame Connection Bracket
24. Guide Rod for Blades
25. Right Crane
26. Left Crane
27. Outlet Guide Adjust Screw
28. Fixing Pin for Blades
29. Spring
30. Cover for Bearing
31. Bracket
32. Adjustment Screw
33. Support Rod
34. Blades Frame
35. Adjustment Screw for Guide
36. Right Guide
37. Left Guide
38. Fixing Bracket for Frame of Blades
39. Fixing Bracket for Frame of Blades
40. V-Belt