



TOAST-MAX™

Electric Conveyor Toasters

TM-5H & TM-10H Series

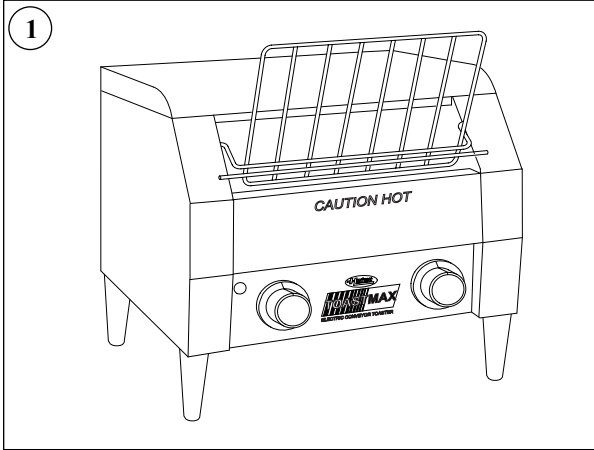
Installation & Operating Manual

For CE & Non-CE Models

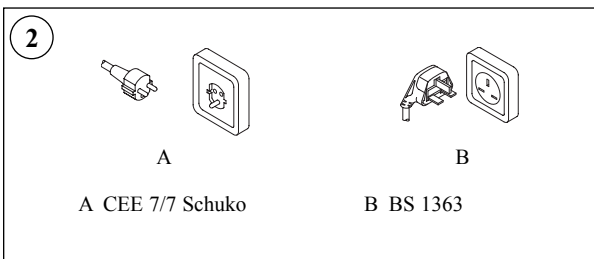
I&W #07.05.148.00

This manual contains important safety information concerning the maintenance, use and operation of this product. Failure to follow the instructions contained in this manual may result in serious injury. If you're unable to understand the contents of this manual, please bring it to the attention of your supervisor. Do not operate this equipment unless you have read and understood the contents of this manual.

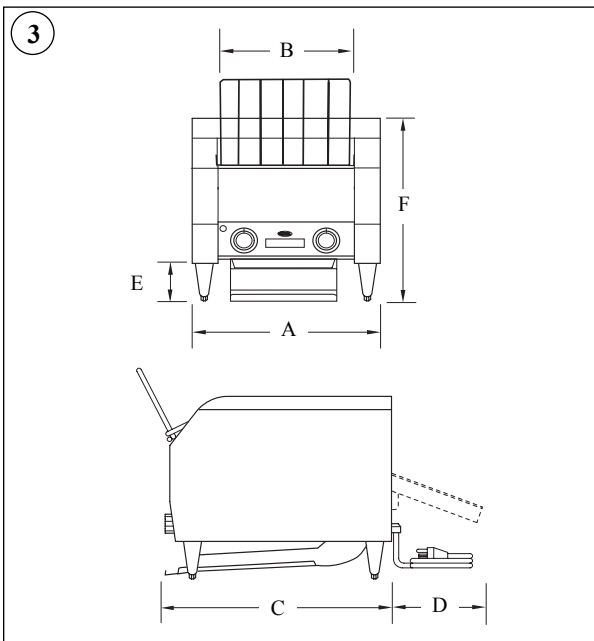
ILLUSTRATIONS



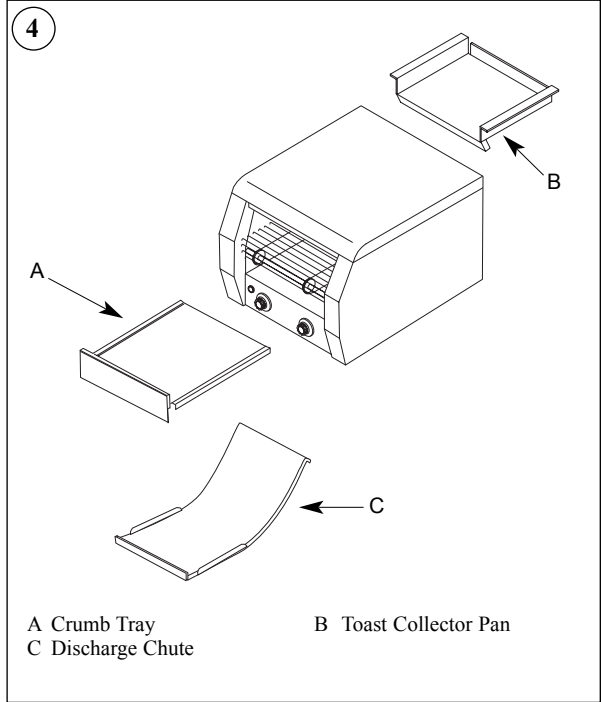
TM Model



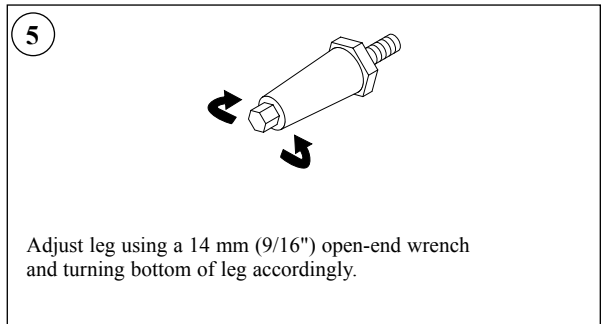
Plug Configurations



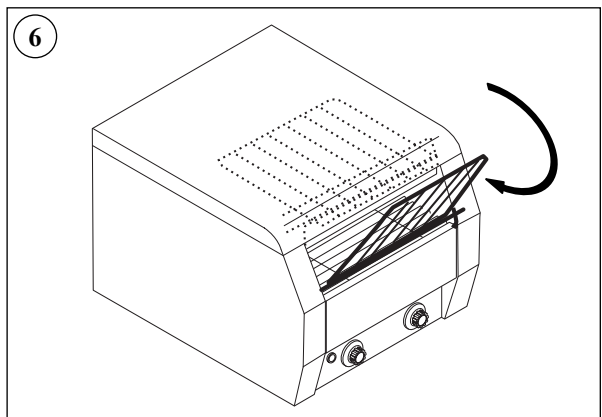
Dimensions



Front View

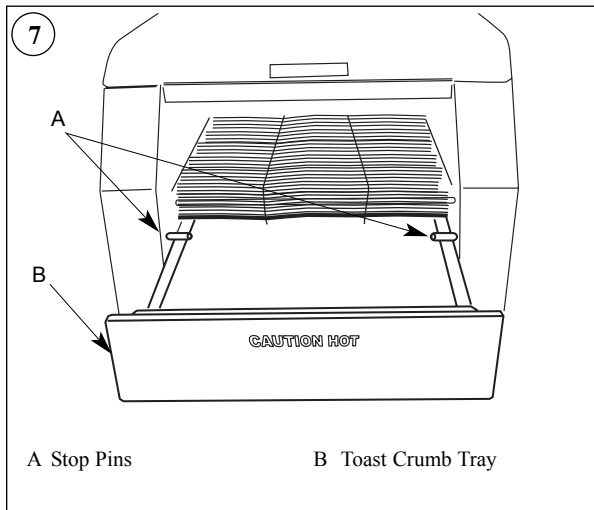


Adjustable Leg



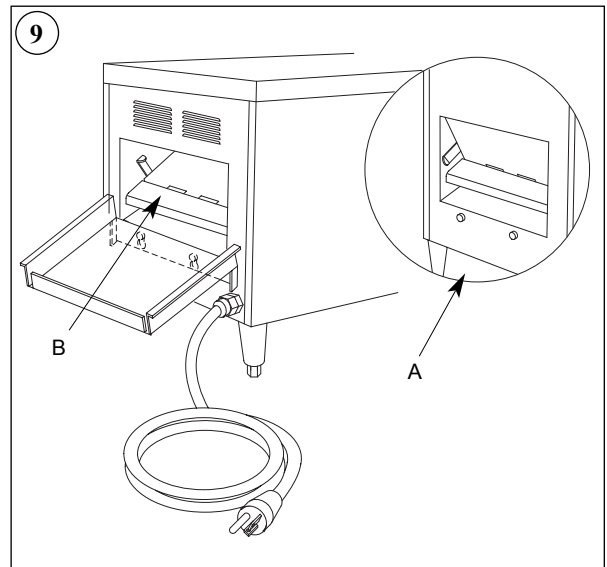
Toast Feed Ramp

ILLUSTRATIONS

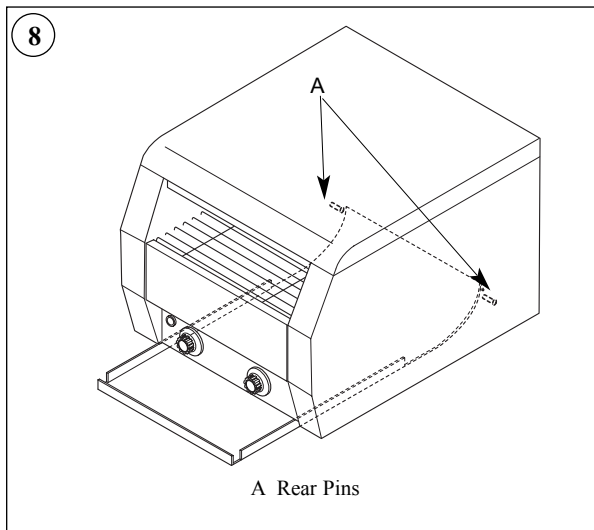


A Stop Pins B Toast Crumb Tray

Toast Crumb Tray

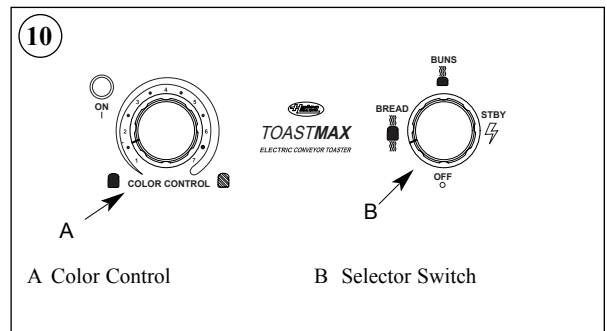


A Front Discharge B Rear Discharge



A Rear Pins

Front Discharge



A Color Control B Selector Switch

Control Panel



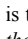
CONTENTS

Illustrations	1	Operation	7
Introduction	3	TM-5H & TM-10H Models.....	7
Important Safety Instructions	3	Maintenance	7
Model Descriptions	4	General	7
All Models	4	Cleaning	7
TM-5H Models	4	Lubrication.....	7
TM-10H Models	4	Hatco Limited Warranty	8
Specifications	5	Important Owner Information	Back Cover
Plug Configurations	5		
Dimensions.....	5		
Electrical Rating Charts	5		
Installation	6		
Assembly.....	6		
Location	6		
Set-Up.....	6		

INTRODUCTION

The Hatco Toast-Max™ Electric Conveyor Toaster is specially designed to accelerate the toasting operation. Products for toasting pass through a heating chamber for rapid and thorough toasting of products. Moisture and sugar content and thickness of bread product effect the ability to achieve the perfect toasted product. Utilizing conveyor speed, not temperature, to determine toasting color, allows for instant adjustment of toasting time.

Hatco toasters are built with quality to meet the demands of foodservice operations and provide years of trouble-free performance. The serpentine metal-sheathed tubular heating elements are guaranteed against breakage and burnout for two years.




This manual provides the installation, safety and operating instructions for the Toast-Max Electric Conveyor Toasters. We recommend all installation, operating and safety instructions appearing in this manual be read prior to installation or operation of your Hatco Electric Conveyor Toaster. Safety instructions that appear in this manual after a warning symbol  and the words **WARNING** or **CAUTION** printed in bold face are very important.  **WARNING** means there is the possibility of serious injury or death to yourself or others.  **CAUTION** means there is the possibility of minor or moderate injury. **CAUTION without the symbol** signifies the possibility of equipment or property damage only.

Hatco Toast-Max Electric Conveyor Toaster is a product of extensive research and field testing. The materials used were selected for maximum durability, attractive appearance and optimum performance. Every unit is thoroughly inspected and tested prior to shipment.





IMPORTANT SAFETY INSTRUCTIONS

IMPORTANT! Read the following important safety instructions to avoid personal injury or death, and to avoid damage to the equipment or property.

WARNINGS

-  **Plug toaster into a properly grounded electrical outlet of the correct voltage, size, and plug configuration. If the plug and receptacle do not match, contact a qualified electrician to determine the proper voltage and size, and install the proper electrical outlet.**
-  **To avoid any injury, turn the power switch OFF, unplug the unit from the power source and allow to cool before performing any maintenance.**
-  **For safe and proper operation, the unit must be located at a reasonable distance from combustible walls and materials. If safe distances are not maintained, discoloration or combustion could occur. Do not locate toaster under shelving or closer than 305 mm (12") from the ceiling.**

CAUTIONS

-  **To avoid any injury or damage locate the unit at the proper counter height, in an area that is convenient for use. The location should be level to prevent the unit or its contents from accidentally falling, and strong enough to support the weight of the unit.**
-  **Do not place anything on top of the toaster; doing so could damage toaster or subject personnel to possible injury.**
-  **The toasting of coated or buttered products such as garlic bread, cheese sandwiches and sweet rolls is NOT recommended. Residue will reduce toaster performance and could possibly ignite inside the toaster.**
-  **When setting up the unit for operation, make sure power to the unit is off and the toaster is at room temperature. Failure to do so could result in personal injury.**

IMPORTANT SAFETY INSTRUCTIONS

⚠ WARNINGS

- ⚠ To assure safe and proper operation while operating in the **Front Discharge** mode, allow a minimum clearance of 25 mm (1") along the sides and rear. Allow a minimum clearance of 305 mm (12") along the front.
- ⚠ To assure safe and proper operation while operating in the **Rear Discharge** mode, allow a minimum clearance of 25 mm (1") along the sides. Allow a minimum clearance of 305 mm (12") along the front and rear.
- ⚠ To prevent any injury or damage do not pull unit by power cord.
- ⚠ To prevent any injury, discontinue use if power cord is frayed or worn.
- ⚠ This appliance is not of jet-proof construction. Do not use jet-clean-spray to clean this appliance.
- ⚠ If service is required on this unit, contact your Authorized Hatco Service Agent, or contact the Hatco Service Department at 414-671-6350; International Service Department at 414-671-3976.
- ⚠ This product has no "user" serviceable parts. To avoid damage to the unit or injury to personnel, use only Authorized Hatco Service Agents and Genuine Hatco Parts when service is required.
- ⚠ Genuine Hatco Replacement Parts are specified to operate safely in the environments in which they are used. Some aftermarket or generic replacement parts do not have the characteristics that will allow them to operate safely in Hatco equipment. It is essential to use Hatco Replacement Parts when repairing Hatco equipment. Failure to use Hatco Replacement Parts may subject operators of the equipment to hazardous electrical voltage, resulting in electrical shock or burn.

⚠ CAUTIONS

- ⚠ Some exterior surfaces on the unit will get hot. Use caution when touching these areas to avoid injury.
- ⚠ To avoid damage to the unit or injury to personnel always operate toaster with crumb tray installed.
- ⚠ To avoid any injury, do not remove the crumb tray for cleaning until toaster is cool.
- ⚠ Unit is not weatherproof. For safe and proper operation the unit must be located **indoors** where the ambient air temperature is a minimum of 70°F (21°C) and a maximum of 85°F (29°C).

CAUTIONS

Do not locate the toaster in an area subject to excessive temperatures or grease from grills, fryers, etc. Excessive temperatures could cause damage to the unit. Do not place toaster in an area that restricts air flow around the front or rear of the unit. Do not place toaster in direct discharge path of air conditioning vent or makeup air vent.

Use only non-abrasive cleaners. Abrasive cleaners could scratch the finish of your Toast-Max toaster marring its appearance and making it susceptible to soil accumulation.

MODEL DESCRIPTIONS

ALL MODELS

All Toast-Max™ Electric Conveyor Toasters are fast, reliable and versatile, toasting up to 300 bread or bun product per hour. The front or rear discharge allows the operator to place the Toast-Max toaster where it is most convenient. Every Toast-Max toaster features long lasting serpentine metal sheathed heating elements, a permanently lubricated conveyor motor and a four position toast selector switch. Every unit is shipped with 102 mm (4") adjustable legs, a toast feed ramp, removable crumb tray and toast collector pan.

TM-5H MODEL

The TM-5H model allows for toasting of bread products up to 64 mm (2-1/2") thick and 245 mm (9-5/8") wide. Capacity is up to 180 slices per hour.

TM-10H MODEL

The TM-10H model allows for toasting of bread products up to 64 mm (2-1/2") thick and 245 mm (9-5/8") wide. Capacity is up to 300 slices per hour.

SPECIFICATIONS

PLUG CONFIGURATIONS

Units are supplied from the factory with an electrical cord and plug installed. Plugs are supplied according to the applications. See ②.



WARNING

Plug unit into a properly grounded electrical outlet of the correct voltage, size and plug configuration. If the plug and receptacle do not match, contact a qualified electrician to determine the proper voltage and size and install the proper electrical outlet.



WARNING

To prevent any injury or damage do not pull unit by power cord.



WARNING

To prevent any injury, discontinue use if power cord is frayed or worn.

DIMENSIONS – TM-5H & TM-10H MODELS SEE ③.

Model	Width (A)	Width (B)	Depth (C)	Depth (D)	Leg Height (E)	Height (F)
TM-5H	289 mm (11-3/8")	187 mm (7-3/8")	416 mm (16-3/8")	203 mm (8")	102 mm (4")	387 mm (15-1/4")
TM-10H	368 mm (14-1/2")	264 mm (10-3/8")	416 mm (16-3/8")	203 mm (8")	102 mm (4")	387 mm (15-1/4")

ELECTRICAL RATING CHART – TM-5H MODELS

Model	Voltage	Hertz	Watts	Amps	Plug Configuration	Shipping Weight
TM-5H	220-240 (CE)	50/60	1340-1595	6.1-6.6	See Note	16 kg (36 lbs.)

Shaded area reflects **export models only**.

NOTE: TM-5H 220-240 Volt (CE) is available with either CEE 7/7 Schuko or BS 1363.
See Plug Configurations for details.

ELECTRICAL RATING CHART – TM-10H MODELS

Model	Voltage	Hertz	Watts	Amps	Plug Configuration	Shipping Weight
TM-10H	220-240 (CE)	50/60	1940-2300	8.8-9.6	See Note	19 kg (41 lbs.)

Shaded area reflects **export models only**.

NOTE: TM-10H 220-240 Volt (CE) is available with either CEE 7/7 Schuko or BS 1363.
See Plug Configurations for details.

ASSEMBLY

1. Remove unit from box.
2. Remove information packet. **To prevent delay in obtaining warranty coverage, fill out and mail in warranty card to Hatco.**
3. Remove tape from Discharge Chute, Crumb Tray and Toast Collector Pan. See (4).
4. If unit is not level, use 14 mm (9/16") open-end wrench to adjust the foot of each leg until unit is level.

LOCATION

CAUTION

Do not locate the toaster in an area subject to excessive temperatures or grease from grills, fryers, etc. Excessive temperatures could cause damage to the unit. Do not place toaster in an area that restricts air flow around the front or rear of the unit. Do not place toaster in direct discharge path of air conditioning vent or makeup air vent.

⚠ WARNING

For safe and proper operation, the unit must be located a reasonable distance from combustible walls and materials. If safe distances are not maintained, discoloration or combustion could occur. Do not locate toaster under shelving or closer than 305 mm (12") from the ceiling.

⚠ WARNING

To assure safe and proper operation while operating in the **Front Discharge** mode, allow a minimum clearance of 25 mm (1") along the sides and rear. Allow a minimum clearance of 305 mm (12") along the front.

⚠ WARNING

To assure safe and proper operation while operating in the **Rear Discharge** mode, allow a minimum clearance of 25 mm (1") along the sides. Allow a minimum clearance of 305 mm (12") along the front and rear.

⚠ CAUTION

To avoid any injury or damage locate the unit at the proper counter height, in an area that is convenient for use. The location should be level to prevent the unit or its contents from accidentally falling, and strong enough to support the weight of the unit.

⚠ CAUTION

Do not place anything on top of the toaster; doing so could damage toaster or subject personnel to possible injury.

SET-UP

⚠ CAUTION

Unit is not weatherproof. For safe and proper operation the unit must be located **indoors** where the ambient air temperature is a minimum of 70°F (21°C) and a maximum of 85°F (29°C).

⚠ CAUTION

The toasting of coated or buttered products such as garlic bread, cheese sandwiches and sweet rolls is NOT recommended. Residue will reduce toaster performance and could possibly ignite inside the toaster.

⚠ CAUTION

When setting up the unit for operation, make sure power to the unit is off and the toaster is at room temperature. Failure to do so could result in personal injury.

Toast Feed Ramp

The toast feed ramp is installed at the factory and can be used in two positions. See (6).

1. When in the upright position, the toaster is set for automatic feed. Bread products enter the toaster by placing them on the feed ramp and releasing.
2. For manual feeding of product, tip the feed ramp until it rests on top of the unit. In this position bread products can be manually loaded by placing directly on the conveyor belt.

⚠ CAUTION

Some exterior surfaces on the unit will get hot. Use caution when touching these areas to avoid injury.

Toast Crumb Tray

Install toast crumb tray directly below the conveyor belt and below the stop pins. Insert until the front of the crumb tray meets the stop pins. See (7).

⚠ CAUTION

To avoid damage to the unit or injury to personnel always operate toaster with crumb tray installed.

⚠ CAUTION

To avoid any injury, do not remove the crumb tray for cleaning until toaster is cool.

Front or Rear Discharge

Toast-Max units can be set up so toasted product discharges at either the front or the rear of the unit.

For **front discharge** install toaster chute from the front of the toaster with the curved end inward and the rear lip of the chute on the rear most pins. See (8). The discharge vane must be in the closed position. See (9A).

For rear discharge do not use the discharge chute. If the chute is installed remove it. To set-up toaster for rear discharge position, install the collector pan, with the open end first, over the set of pins at the rear of the unit. Align the straight notches over the pins and lower into place. The discharge vane must be in the open position. See (9B).

OPERATION

TM-5H & TM-10H MODELS

1. Plug toaster into a properly grounded electrical outlet of the correct voltage, size and plug configuration. See SPECIFICATIONS for details.
2. **To toast the top and bottom sides** of the bread, place the SELECTOR SWITCH in the bread position. The indicator light will glow at this time. See (10).
- To toast one side only (the top side)**, place the SELECTOR SWITCH in the bun position. The indicator light will glow at this time. See (10).
3. Turn the COLOR CONTROL to the lightest position while the unit heats up. See (10).

NOTE: Allow approximately 15 to 20 minutes for a warm-up period.

4. After warm-up period, set the COLOR CONTROL to the medium position and toast two slices of bread product then re-adjust the COLOR CONTROL to the desired setting.

NOTE: To toast moist products such as English Muffins, rye bread or whole wheat, slow the conveyor by turning the COLOR CONTROL knob to a darker setting (clockwise).

All TM series toasters can be put into a Power Save mode by placing the selector switch in the standby position. The toaster is operating at 25% power in the Power Save mode. See (10).

NOTE: To place toaster back into full operation turn the selector switch to the Bread or Bun position. Unit is back up and ready for toasting within 5 minutes.

MAINTENANCE

GENERAL

The Hatco Toast-Max Electric Conveyor Toasters are designed for maximum durability and performance, with minimum maintenance.

WARNING

To avoid any injury, turn the power switch OFF, unplug the unit from the power source and allow to cool before performing any maintenance.

CLEANING

WARNING

This appliance is not of jet-proof construction. Do not use jet-clean-spray to clean this appliance.

Exterior

To preserve the bright finish of the unit, it is recommended that the exterior surfaces be wiped daily with a damp cloth. Stubborn stains may be removed with a good stainless steel cleaner or a non-abrasive cleaner. Hard to reach areas should be cleaned with a small brush and mild soap.

CAUTION

Use only non-abrasive cleaners. Abrasive cleaners could scratch the finish of your Toast-Max toaster marring its appearance and making it susceptible to soil accumulation.

Toast Crumb Tray & Toast Collector Pan

Remove from unit and wash with soap and water, then rinse.

Toast Feed Ramp

Press in the two wire spokes and remove guide from unit. Wipe clean with a soft, damp cloth or soak the guide in a mild solution of 227 milliliters of ammonia and 3.785 liters of water (1 cup and 1 gallon). Re-install guide by aligning wire spokes with holes in toaster.

LUBRICATION

The conveyor gear motor and conveyor system are permanently lubricated and require no lubrication.

WARNING

If service is required on this unit, contact your Authorized Hatco Service Agent, or contact the Hatco Service Department at 414-671-6350; International fax 414-671-3976.

WARNING

This product has no "user" serviceable parts. To avoid damage to the unit or injury to personnel, use only Authorized Hatco Service Agents and Genuine Hatco Parts when service is required.

WARNING

Genuine Hatco Replacement Parts are specified to operate safely in the environments in which they are used. Some aftermarket or generic replacement parts do not have the characteristics that will allow them to operate safely in Hatco equipment. It is essential to use Hatco Replacement Parts when repairing Hatco equipment. Failure to use Hatco Replacement Parts may subject operators of the equipment to hazardous electrical voltage, resulting in electrical shock or burn.

HATCO LIMITED WARRANTY

1. PRODUCT WARRANTY

Hatco warrants the products that it manufactures (the "Products") to be free from defects in materials and workmanship, under normal use and service, for a period of one (1) year from the date of purchase when installed and maintained in accordance with Hatco's written instructions or 18 months from the date of shipment from Hatco. Buyer must establish the product's purchase date by returning Hatco's Warranty Registration Card or by other means satisfactory to Hatco in its sole discretion.

Hatco warrants the following Product components to be free from defects in materials and workmanship from the date of purchase (subject to the foregoing conditions) for the period(s) of time and on the conditions listed below:

- a) **One (1) Year Parts and Labor PLUS One (1) Additional Year Parts-Only Warranty:**
 - Toaster Elements (metal sheathed)
 - Drawer Warmer Elements (metal sheathed)
 - Drawer Warmer Drawer Rollers and Slides
 - Food Warmer Elements (metal sheathed)
 - Display Warmer Elements (metal sheathed air heating)
 - Holding Cabinet Elements (metal sheathed air heating)

- b) **One (1) Year Parts and Labor PLUS Four (4) Additional Years Parts-Only Warranty on pro-rated terms that Hatco will explain at Buyer's Request:**
 - 3CS and FR Tanks

- c) **One (1) Year Parts and Labor PLUS Nine (9) Years Parts-Only Warranty on:**
 - Electric Booster Heater Tanks
 - Gas Booster Heater Tanks

THE FOREGOING WARRANTIES ARE EXCLUSIVE AND IN LIEU OF ANY OTHER WARRANTY, EXPRESSED OR IMPLIED, INCLUDING BUT NOT LIMITED TO ANY IMPLIED WARRANTY OF MERCHANTABILITY OR FITNESS FOR A PARTICULAR PURPOSE OR PATENT OR OTHER INTELLECTUAL PROPERTY RIGHT INFRINGEMENT. Without limiting the generality of the foregoing, SUCH WARRANTIES DO NOT COVER: Coated incandescent light bulbs, fluorescent lights, lamp warmer heat bulbs, glass components, Product failure in booster tank, fin tube heat exchanger, or other water heating equipment, caused by liming, sediment buildup, chemical attack or freezing, Product misuse, tampering or misapplication, improper installation, or application of improper voltage.

2. LIMITATION OF REMEDIES AND DAMAGES

Hatco's liability and Buyer's exclusive remedy hereunder will be limited solely, at Hatco's option, to repair or replacement by a Hatco-authorized service agency (other than where Buyer is located outside of the United States, Canada, United Kingdom or Australia in which case Hatco's liability and Buyer's exclusive remedy hereunder will be limited solely to replacement of part under warranty) with respect to any claim made within the applicable warranty period referred to above. Hatco reserves the right to accept or reject any such claim in whole or in part. Hatco will not accept the return of any Product without prior written approval from Hatco, and all such approved returns shall be made at Buyer's sole expense. HATCO WILL NOT BE LIABLE, UNDER ANY CIRCUMSTANCES, FOR CONSEQUENTIAL OR INCIDENTAL DAMAGES, INCLUDING BUT NOT LIMITED TO LABOR COSTS OR LOST PROFITS RESULTING FROM THE USE OF OR INABILITY TO USE THE PRODUCTS OR FROM THE PRODUCTS BEING INCORPORATED IN OR BECOMING A COMPONENT OF ANY OTHER PRODUCT OR GOODS.

IMPORTANT OWNER INFORMATION

Record the model number, serial number, voltage and purchase date of your unit in the spaces below.
Please have this information available when calling Hatco for service assistance.

Model No. _____

Serial No. _____

Voltage _____

Date of Purchase _____

HATCO CORPORATION

P.O. Box 340500, Milwaukee, WI 53234-0500 U.S.A.
(414) 671-6350
Int'l. Fax (414) 671-3976
www.hatcocorp.com

ASIA HEADQUARTERS

Unit 708, Premier Center, 20 Cheung Shun Street
Cheung Sha Wan, Kowloon, H.K.
(852) 2991-4121
Fax (852) 2991-4181
hatcohk@netvigator.com