



Ice Machine Parts List for Series i-322 Models

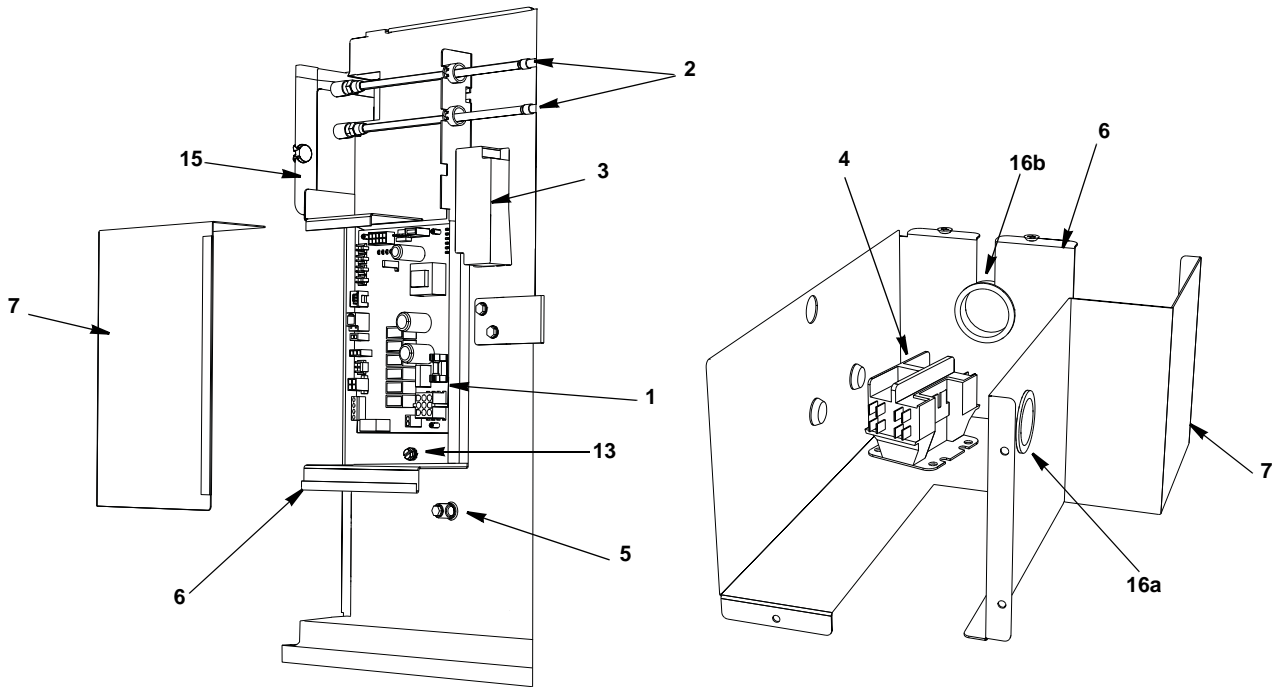
iD0322A

iY0324A

iD0323W

iY0325W

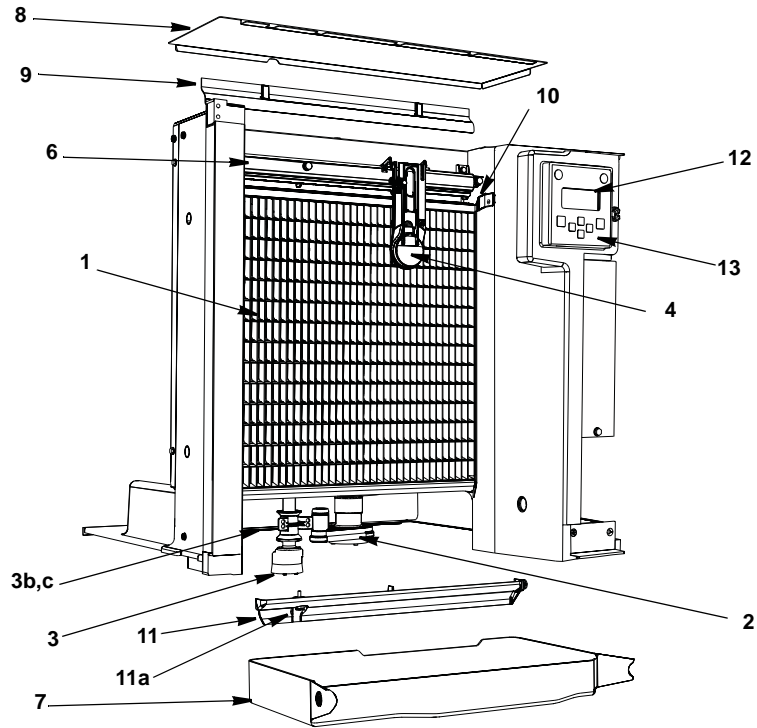
i322 CONTROL BOX



DESCRIPTION

	PART NO.
1 Control Board (for use with all voltages)	000008309
a. 8 amp Ceramic Fuse – Mounted on Control Board	000009181
2 Refrigeration Service Valve Assembly	83-7326-3
3 Luminice Power Supply	K00424
4 Contactor	
a. 115V/60 Hz/1ph	20-0658-9
b. 208-230V/60 Hz/1ph	20-0659-9
5 Magnetic Bin Switch	000007710
a. Wiring Harness	000007410
Miscellaneous – Brackets, Screws, etc.	
6 Control Board Box	000009213
7 Control Board Box Cover	000009228
8 Start Components Box	000008623
9 Start Components Box Top Cover	606968-1
10 Start Components Box Side Cover	000008620
11 Control Board Mounting Supports	43-0225-3
12 Capacitor Mounting Brackets	50-0530-3
13 Screws, #10-24 x .50 Ground	52-0216-9
a. Star Washer	55-7320-9
14 Screw, #10-24 x .50	52-0206-9
15 Lockwashers	55-7320-9
16 Control Box Bushings	
a. 0.5" - pack of 6	25-0218-9
b. 1" - pack of 4	25-0001-9
c. 1.5" - pack of 2	25-0013-9
17 Control Box Wiring Harness (Not shown)	
a. 115/60/1	000007842
b. 230/60/1	000007843
c. 230/50/1	000007844
18 Compressor Compartment Wiring Harness (Not shown)	20-0876-3

i322 EVAPORATOR COMPARTMENT - COMMON COMPONENTS

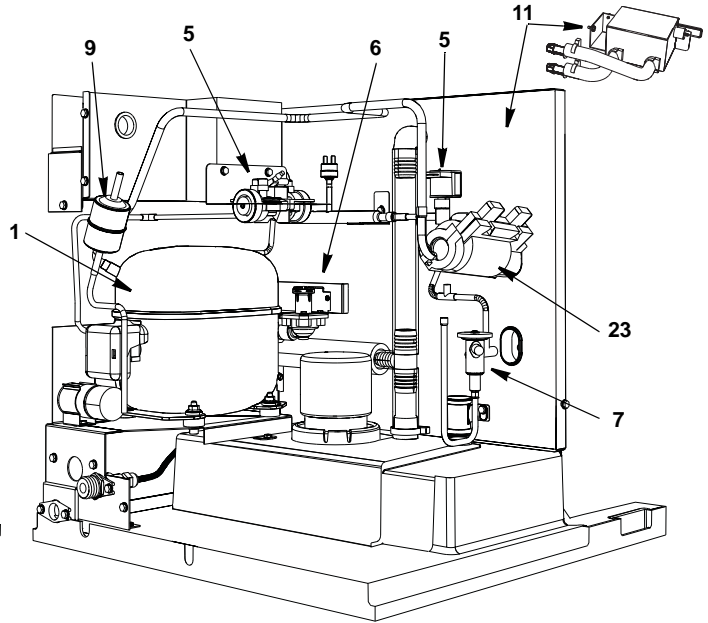
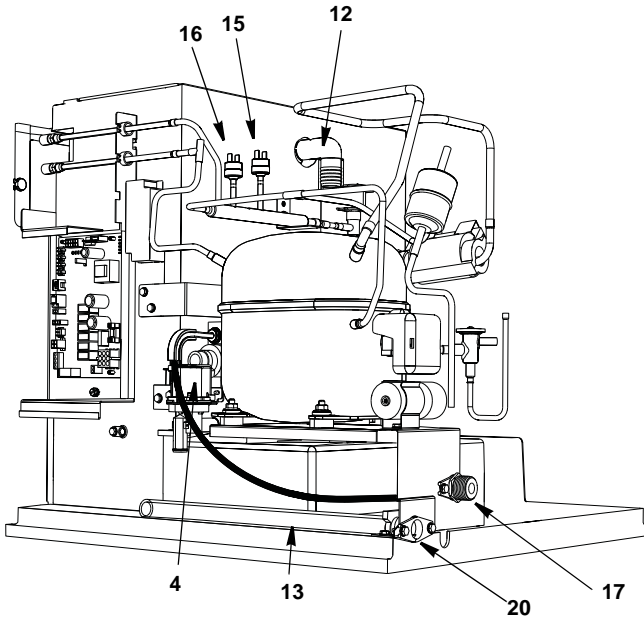


DESCRIPTION

PART NO.

1	Evaporator Assembly	
	a. Dice Cube	76-0287-9
	b. Half Dice Cube	76-0288-9
2	Water Pump	
	a. 115V/60 Hz 1PH	20-0767-9
	b. 230V/60 Hz 1/3PH	20-0765-9
	c. 230/50/1	20-0766-9
3	Water Level Probe	
	a. Wire, control box to probe (Not shown).	000007052
	b. Holder	000007053
	c. Screw (Mount Water Level Probe Holder)	52-0209-9
4	Ice Thickness Control Probe	000008660
5	Water Curtain (Not shown)	40-1118-9
6	Water Distribution Tube Assembly	76-0278-9
	a. O-Rings (Back of Distribution Assembly)	50-0464-9
7	Water Trough	40-0914-9
8	Foodzone Seal Panel	000007777
9	Evaporator Top Filler Panel	606538-9
	a. Stainless Steel Clamp	606333-9
	b. Clamp Screw	52-0209-9
10	Evaporator Top Frame Assembly	76-0279-9
11	Water Diverter	76-0221-3
	a. Thumbscrew	53-0512-3
12	LCD Display	000006728
13	Touch Pad with Housing	000008064
14	LCD Wiring Harness (Not shown)	000007828
15	Touch Pad/Housing Mounting Bracket	000006697
16	Front Panel LCD Frame	
	a. With Key Guard	000007046
	b. Without Key Guard	000007047
	c. Display Cover (hides the display completely)	K00433
Miscellaneous – Brackets, Screws, etc.		
17	Screw, (Water Distribution Tube Mounting) Each	50-0479-9
	a. O-Ring	50-0462-9
18	Screw, #12-16 x .687 Used to Mount Evaporator (Each)	50-0461-9
19	Water Pump Base O-Ring	50-0465-9
20	Water Pump Outlet O-Ring	50-0467-9

i322 REFRIGERATION COMPARTMENT – COMMON PARTS



DESCRIPTION

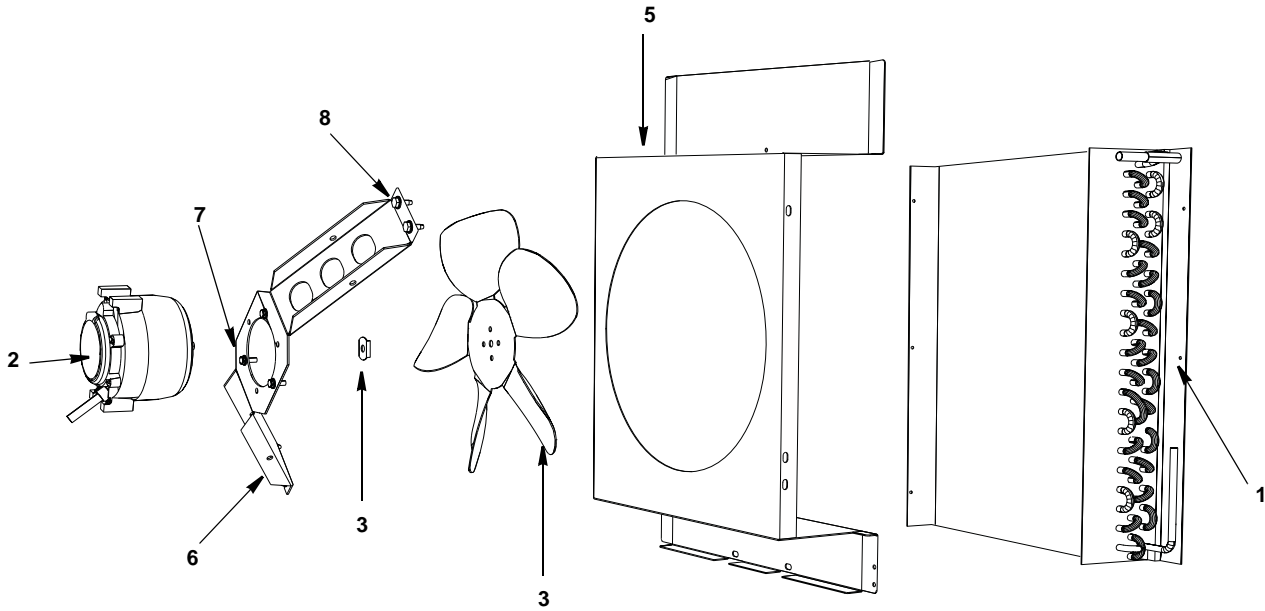
PART NO.

1 Compressor	
a. 115V/60 HZ/1ph	76-0134-3
b. 208-230V/50-60 Hz/1ph	76-0135-3
2 Start Relay	
a. 115V/60 Hz/1ph	82-5103-3
b. 208-230V/50-60 Hz/1ph	20-0224-3
c. Cover	82-5101-3
3 Start Capacitor	
a. 115V/60 Hz/1ph	82-5102-3
b. 208-230V/50-60 Hz/1ph	85-0443-3
4 Water Dump Valve (with bracket)	
a. 115V/60 Hz	000001767
b. 208-230V/50-60 Hz	000001768
c. Mounting Bracket	605845-9
d. Dump Valve Tubing 3.25 inches	44-2038-3
5 Harvest Valve	
a. Harvest Valve Including 115V/60 Hz Electrical Coil	000007035
b. Harvest Valve 115V Coil Only Danfoss	000005156
c. Harvest Valve Including 208/230V 50/60 Hz Electrical Coil	000007034
d. Harvest Valve 208/230V Coil Only Danfoss	000005157
6 Water Inlet Valve	
a. Water Inlet Valve Including 115V/60 Hz Coil	000000375
b. Water Inlet Valve Including 208-230V/50-60 Hz Coil	000000376
c. Water Inlet Valve Bracket	000007594
7 Expansion Valve	
a. Expansion Valve Body Insulation Boot	76-0289-3
b. Expansion Valve Bulb Insulation Boot	40-0036-3
8 Thermistors with Spring Clips	40-0720-3
9 Drier	000008310
10 Air Assist	89-3025-9
a. 115V with brackets	000007222
b. 230V with brackets	000007223
c. Manifold Tee (Air Pump Tubing Outlet)	40-1173-9
d. Bracket	000006489
e. Nozzle	30-0145-3
11 Luminlce	K00424
a. Luminlce Bulb	K00425
b. Bulkhead Fitting 2.25"	000007990
c. Bulkhead Fitting 2.75"	000008269
12 Insulated Tube (vinyl tubing from distribution tube to water pump & dump valve)	000003404
a. Clamp 0.859/0.989 ID	56-5060-3
b. Clamp 0.799/0.899 ID	56-5070-3
13 Vinyl Tubing 0.625 ID (dump valve to drain adapter)	000001382
a. Insulation	603883-1
b. Clamp	56-5070-9
14 Manifold Strainer	000008364
a. Bracket	605857-1
15 High Pressure Cut-out (Auto Reset)	20-0124-3
16 Fan Cycle Control	20-0126-3

Miscellaneous – Brackets, Screws, etc.

17	Water Inlet Wing Adapter	87-0609-3
	a. Adapter Plastic Fitting	13-6096-1
18	Water Inlet Valve Tubing	40-1043-9
	a. Elbow Tube	000000288
19	Connector Water Inlet Valve	13-6098-9
20	Water Drain Wing Adapter	87-0613-3
21	Compressor Mounting	
	a. Base	606026-9
	b. Rubber Grommet	† 85-0306-9
	c. Sleeve	85-0394-9
	d. Bolt	50-0481-9
	e. Nut	50-0482-9
22	Clamp, Expansion Valve Bulb	56-5052-9
23	Copper Bulb Strap	30-0050-3
24	Screw, #10-24 x .50	52-0206-9

i322 REFRIGERATION COMPARTMENT – AIR-COOLED



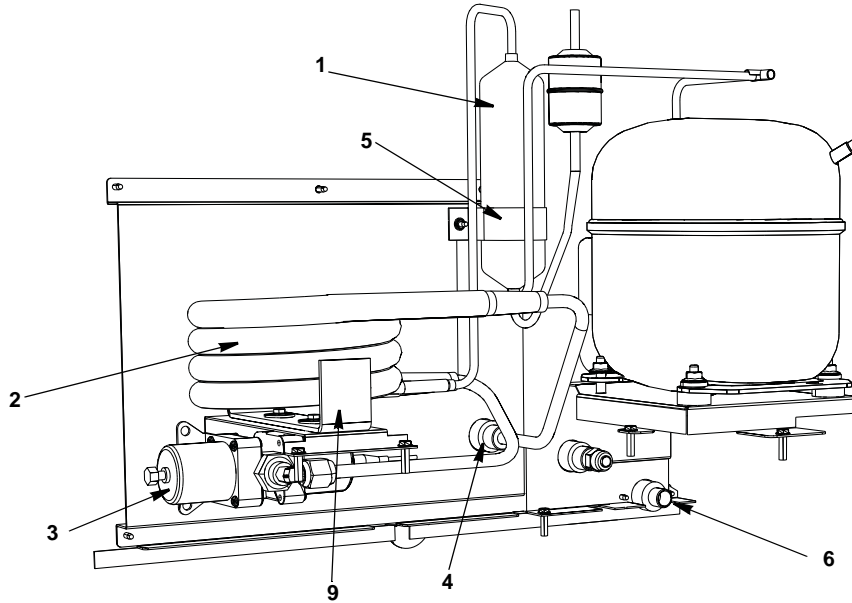
DESCRIPTION

	DESCRIPTION	PART NO.
1	Air Condenser.....	82-5212-9
2	Fan Motor	
	a. 115V/60 Hz.....	24-1281-3
	b. 208-230V/60 Hz or 230V/50 Hz.....	24-1282-3
3	Fan Blade.....	24-1622-3
4	Speed Nut.....	54-7507-3

Miscellaneous – Brackets, Screws, etc.

5	Fan Shroud.....	606546-9
6	Fan Motor Bracket.....	602743-1
7	Fan Motor Mounting Screw.....	50-2559-9
8	Fan Bracket Mounting Screw.....	52-0206-9
9	Shroud & Condenser Screws, #10-24 x .50.....	52-0206-9

i322 REFRIGERATION COMPARTMENT – WATER-COOLED



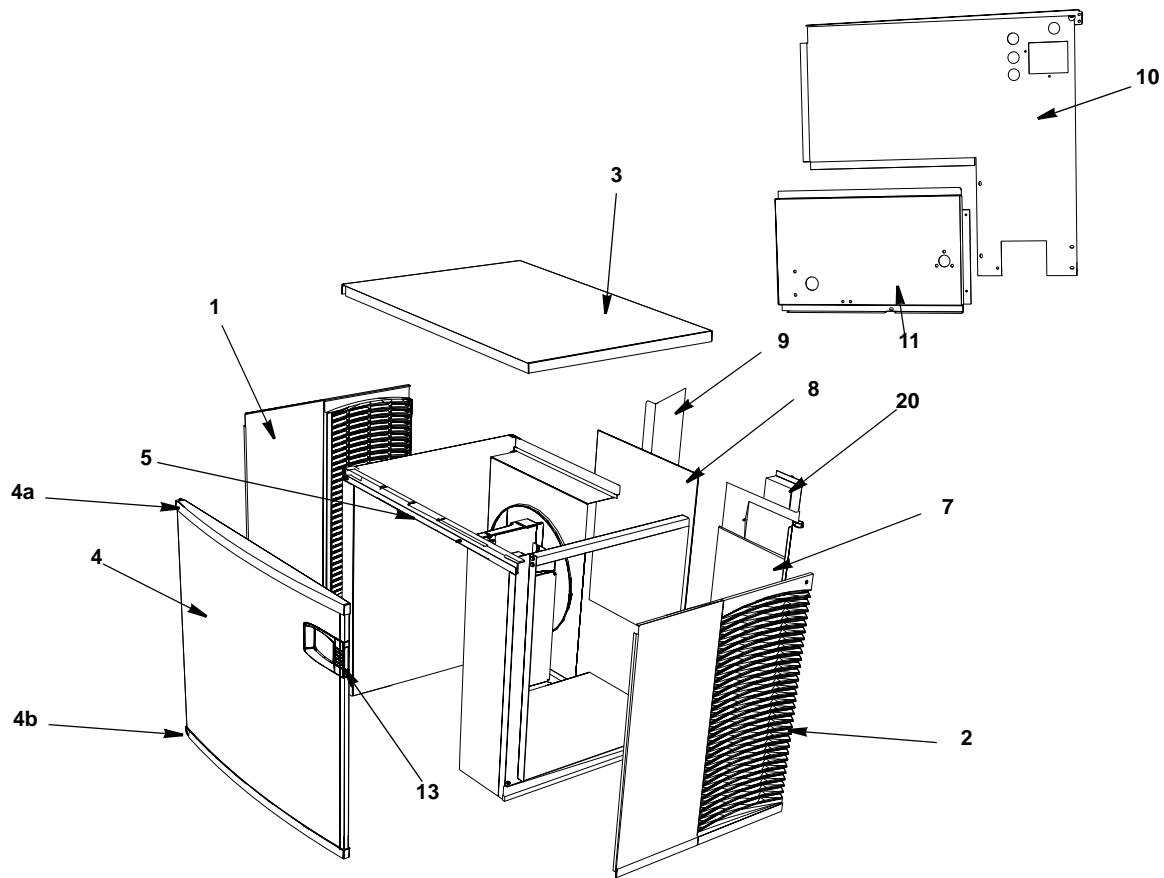
DESCRIPTION

	PART NO.
1 Receiver	12-0003-1
2 Water-cooled Condenser	000000045
3 Water Regulating Valve	000007546
4 Condenser Water Drain Female Wing Adapter	87-0608-3

Miscellaneous – Brackets, Screws, etc.

5 Receiver Strap	600054-1
6 Elbow 3/8 MF x 3/8 MPT	50-0215-9
7 Screw, #10-24 x .50	52-0206-3
8 Washer	55-7341-9
9 Base, Water Condenser/Receiver	605865-9

i322 PANELS



DESCRIPTION

1	Left Side Panel	00005217
2	Right Side Panel	00005215
3	Top Cover	00007768
4	Front Panel Assembly	00006579
	a. Top Endcap	00006560
	b. Bottom Endcap	00006565
5	Front Top Support	00007765
	Mounting Screw Left Side 8-32 x 1	50-0537-9
	Mounting Screw Right Side 10-24 x .50	50-0509-9
6	Back Coupling Panel, Drain/Water Connection (Compressor Base)	606026-9
Air-Cooled Back Panels		
7	Back Panel with Electrical Connection Box, Air-cooled Models	00008621
8	Air Filter	30-0569-9
9	Air Baffle Assembly	00007314
Water-Cooled Back Panels		
10	Back Panel with Electrical Connection Box	00008622
11	Back Coupling Panel, Water-Cooled	00008022
12	Drain Fitting	87-0608-3
Miscellaneous – Brackets, Screws, etc.		
13	Front Panel LCD Frame	
	a. With Key Guard	00007046
	b. Without Key Guard	00007047
	c. Display Cover (hides the display completely)	K00433
14	Door Screw	50-0489-9
15	Bottom Door Frame	76-0282-9
	a. Mounting Screw Left Side 8-32 x 1 PHIL	50-0537-9
	b. Mounting Screw Right Side 10/24 x .50 PHIL	52-0209-9
16	Left Door Pivot Leaf Hinge (Top or Bottom)	30-0557-9
	a. Mounting Screw 8-32 x 1 PHIL	50-0537-9
17	Left Top Channel	606864-9
18	Right Top Channel	607145-1
19	Left Corner Post	606293-9
20	Electrical Connection Box Cover	Included in Back Panel Assembly
21	Electrical Box on Rear of Ice Machine	
	a. Box	Included in Back Panel Assembly
	b. Terminal Block 1 Pole	20-0659-9
	c. Groundscrew #10-24 x .50	52-0216-9