



## **Ice Machine Parts List for Series i-450 Models**

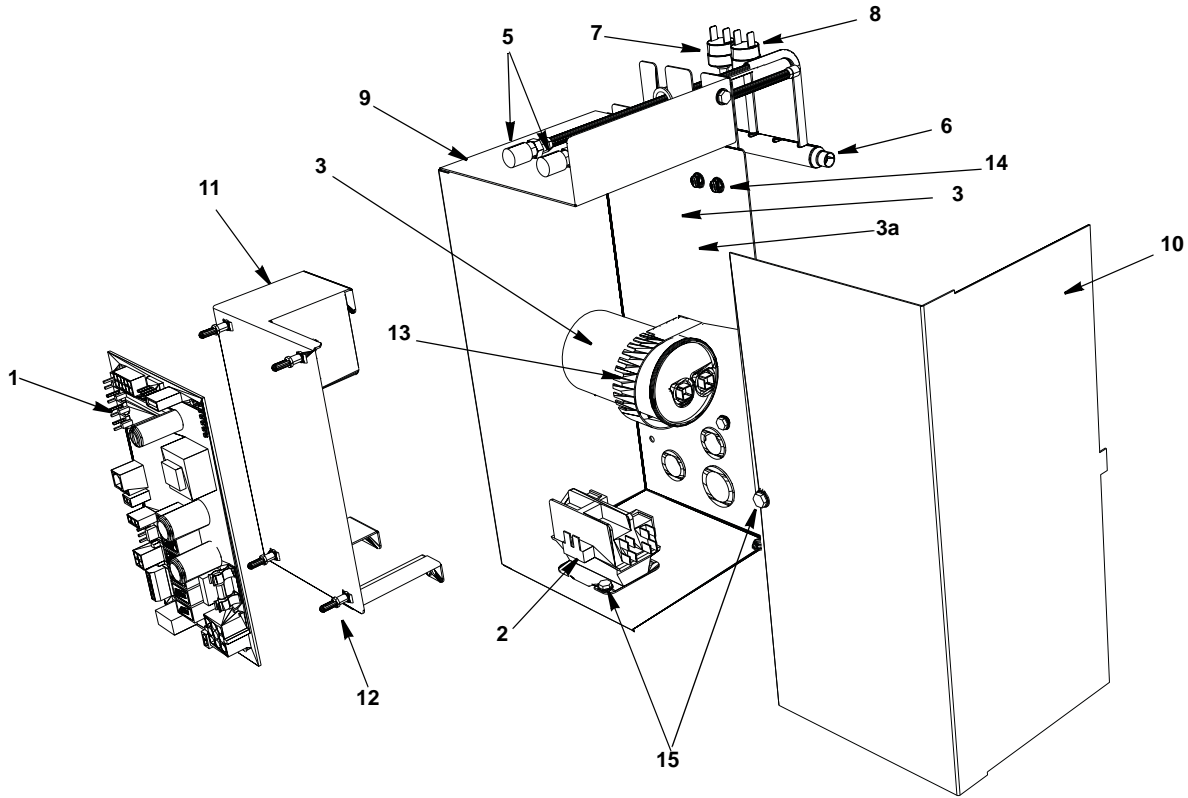
**iD0452A**

**iY0454A**

**iD0453W**

**iY0455W**

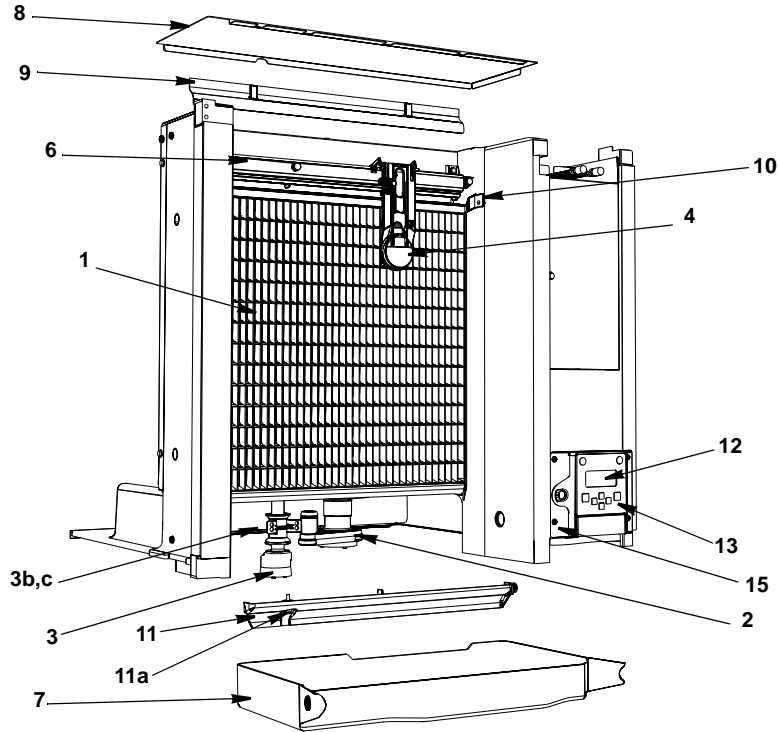
# i450 CONTROL BOX



## DESCRIPTION

	<b>DESCRIPTION</b>	<b>PART NO.</b>
1	Control Board (for use with all voltages) .....	000008309
a.	8 amp Ceramic Fuse – Mounted on Control Board .....	000009181
2	<b>Contactors</b>	
a.	115V/60 Hz/1ph .....	20-0658-9
b.	208-230V/60 Hz/1ph or 230V/50 Hz/1ph .....	20-0659-9
3	PTCR Compressor Starter .....	85-0500-3
a.	Bracket .....	85-0502-3
4	<b>Compressor Run Capacitor</b>	
a.	115V/60 Hz/1ph) .....	20-1013-3
b.	208-230V/60 Hz/1ph) .....	000007675
c.	208-230V/50 Hz/1ph) .....	85-0400-3
5	Refrigeration Service Valve Assembly .....	83-7326-3
6	Manifold Strainer .....	000008364
a.	Bracket .....	605857-1
7	High Pressure Cut-out (Auto Reset) .....	20-0124-3
8	Fan Cycling Control .....	† 20-0126-3
	<b>Miscellaneous – Brackets, Screws, etc.</b>	
9	Control Box .....	000007563
10	Control Box Cover .....	000007569
11	Control Board Mounting Bracket .....	000007564
12	Control Board Mounting Supports .....	43-0225-3
13	Capacitor Mounting Strap .....	602495-3
14	Screws, #10-24 x .50 Ground. ....	52-0216-9
a.	Star Washer .....	55-7320-9
15	Screw, #10-24 x .50 .....	52-0206-9
16	Lockwashers .....	55-7320-9
17	Control Box Bushings	
a.	Large (1) .....	25-0001-9
b.	Small (4) .....	25-0140-9
18	<b>Control Box Wiring Harness (Not shown)</b>	
a.	115/60/1 .....	000007696
b.	230/60/1 .....	000007179
c.	230/60/3 .....	000007181
d.	230/50/1 .....	000007180
19	<b>Compressor Compartment Wiring Harness (Not shown)</b>	
a.	Air-cooled .....	000007185
b.	Water-cooled .....	000007177

# i450 EVAPORATOR COMPARTMENT - COMMON COMPONENTS

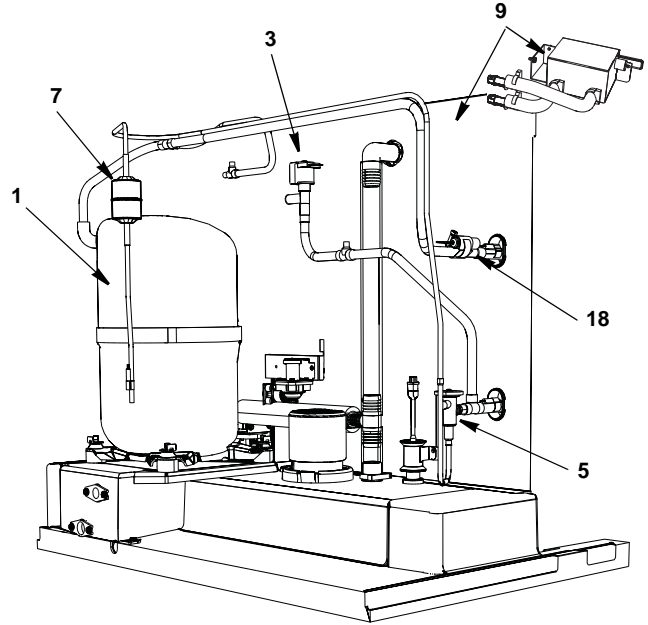
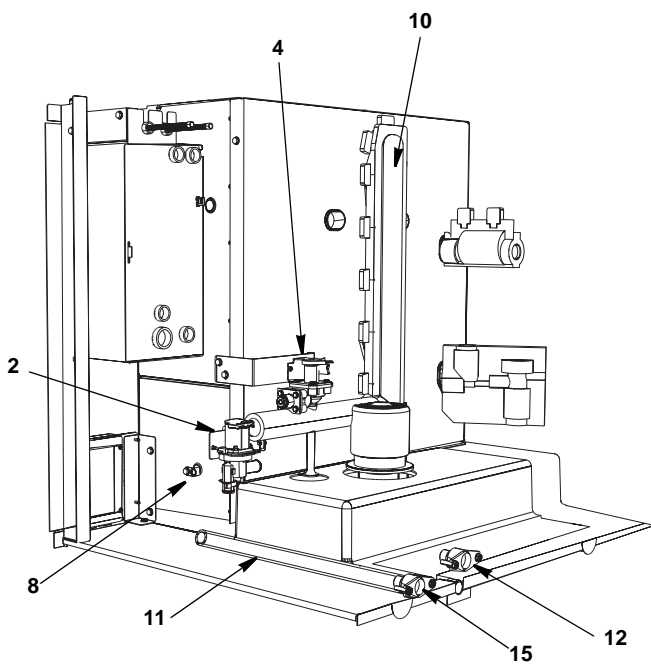


**DESCRIPTION**

**PART NO.**

1	<b>Evaporator Assembly</b>	
	a. Dice Cube . . . . .	76-0287-9
	b. Half Dice Cube . . . . .	76-0288-9
2	<b>Water Pump</b>	
	a. 115V/60 Hz 1PH . . . . .	20-0767-9
	b. 230V/60 Hz 1/3PH . . . . .	20-0766-9
	c. 230/50/1 . . . . .	20-0765-9
3	<b>Water Level Probe.</b>	000007052
	a. Wire, control box to probe (Not shown). . . . .	000007099
	b. Holder . . . . .	000007053
	c. Screw (Mount Water Level Probe Holder) . . . . .	52-0209-9
4	Ice Thickness Control Probe . . . . .	000008660
5	Water Curtain (Not shown) . . . . .	40-1118-9
6	Water Distribution Tube Assembly . . . . .	76-0278-9
	a. O-Rings (Back of Distribution Assembly) . . . . .	50-0464-9
7	Water Trough . . . . .	000002106
8	Foodzone Seal Panel . . . . .	000007613
9	Evaporator Top Filler Panel . . . . .	40-0846-9
	a. Stainless Steel Clamp . . . . .	606333-9
	b. Clamp Screw . . . . .	52-0209-9
10	Evaporator Top Frame Assembly . . . . .	76-0220-3
11	Water Diverter . . . . .	76-0221-3
	a. Thumbscrew . . . . .	53-0512-3
12	LCD Display . . . . .	000006728
13	Touch Pad with Housing . . . . .	000007926
14	LCD Wiring Harness (Not shown) . . . . .	000007737
15	Touch Pad/Housing Mounting Bracket . . . . .	000006697
16	Front Panel LCD Frame	
	a. With Key Guard . . . . .	000006647
	b. Without Key Guard . . . . .	000006564
	c. Display Cover (hides the display completely) . . . . .	K00433
<b>Miscellaneous – Brackets, Screws, etc.</b>		
17	Screw, (Water Distribution Tube Mounting) Each . . . . .	50-0479-9
	a. O-Ring . . . . .	50-0462-9
18	Screw, #12-16 x .687 Used to Mount Evaporator (Each) . . . . .	50-0461-9
19	Water Pump Base O-Ring . . . . .	50-0465-9
20	Water Pump Outlet O-Ring . . . . .	50-0467-9

# i450 REFRIGERATION COMPARTMENT – COMMON PARTS



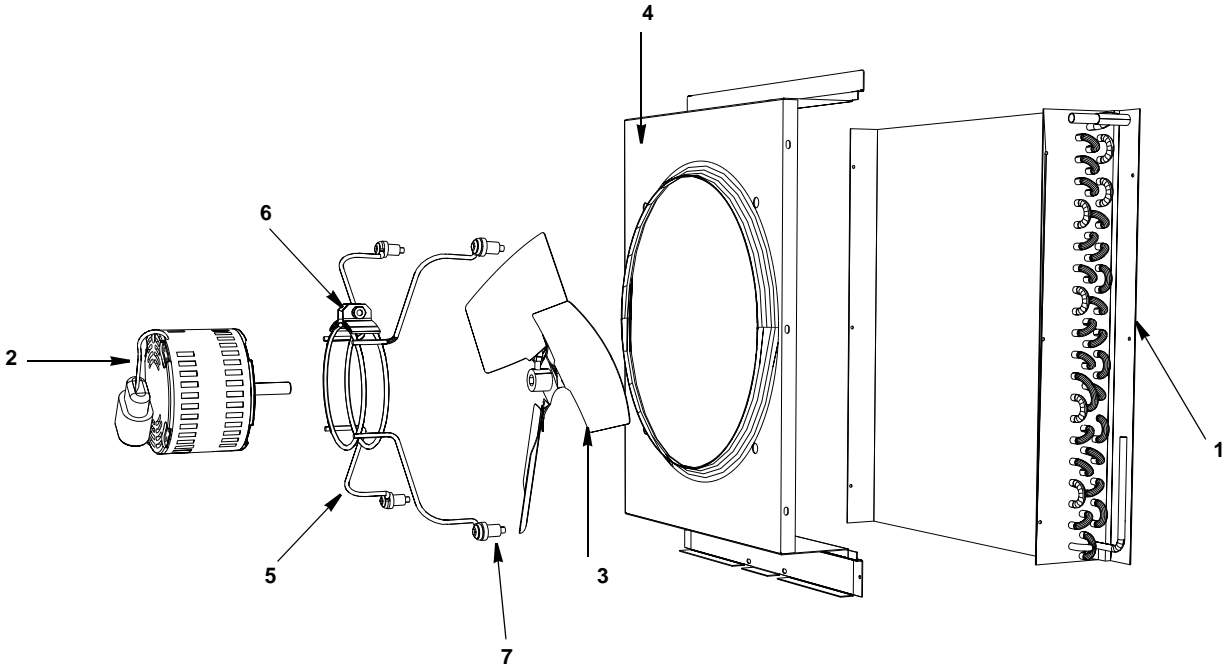
## DESCRIPTION

## PART NO.

<b>1 Compressor</b>		
a. 115V/60 HZ/1 Ph. . . . .		000008740
b. 208-230V/60 Hz/1 Ph . . . . .		000008741
c. 230V/50 Hz/1 Ph. . . . .		000008742
<b>2 Water Dump Valve (with bracket)</b>		
a. 115V/60Hz. . . . .		000001767
a. 208-230V/50-60 Hz. . . . .		000001768
b. Mounting Bracket . . . . .		605845-9
c. Dump Valve Tubing 3.25 inches . . . . .		44-2038-3
<b>3 Harvest Valve</b>		
a. Harvest Valve Including 115V 60 Hz Electrical Coil . . . . .		000007029
b. Harvest Valve 115V Coil Only Danfoss . . . . .		000005156
c. Harvest Valve Including 208/230V 50/60 Hz Electrical Coil . . . . .		000007028
d. Harvest Valve 208/230V Coil Only Danfoss . . . . .		000005157
<b>4 Water Inlet Valve</b>		
a. Water Inlet Valve Including 115V/60 Hz Coil. . . . .		000007965
b. Water Inlet Valve Including 208-230V/50-60 Hz Coil . . . . .		000007966
c. Water Inlet Valve Bracket . . . . .		000007594
<b>5 Expansion Valve</b>		
a. Expansion Valve Body Insulation Boot . . . . .		76-0290-3
b. Expansion Valve Bulb Insulation Boot. . . . .		40-0036-3
<b>6 Thermistors with Spring Clips</b>		
<b>7 Drier</b>		
<b>8 Magnetic Bin Switch</b>		
a. Wiring Harness . . . . .		40-0720-3
<b>9 LuminIce</b>		
a. LuminIce Bulb . . . . .		000008310
b. LuminIce Wiring Harness . . . . .		89-3025-9
c. Bulkhead Fitting 2.25" . . . . .		000007710
d. Bulkhead Fitting 2.75" . . . . .		000007410
<b>10 Insulated Tube (vinyl tubing from distribution tube to water pump &amp; dump valve)</b>		
a. Clamp 0.859/0.989 ID. . . . .		K00424
b. Clamp 0.799/0.899 ID. . . . .		K00425
<b>11 Vinyl Tubing 0.625 ID (dump valve to drain adapter)</b>		
a. Insulation. . . . .		000007409
b. Clamp . . . . .		000007990
<b>Miscellaneous – Brackets, Screws, etc.</b>		
<b>12 Water Inlet Wing Adapter</b>		
a. Adapter Plastic Fitting . . . . .		000008269
<b>13 Water Inlet Valve Tubing</b>		
<b>14 Connector Water Inlet Valve</b>		
<b>15 Water Drain Wing Adapter</b>		
<b>16 Compressor Mounting</b>		
a. Base . . . . .		000003405
b. Rubber Grommet . . . . .		56-5060-3
c. Sleeve . . . . .		56-5070-3
d. Bolt . . . . .		000001382
e. Nut . . . . .		603883-1
<b>17 Clamp, Expansion Valve Bulb</b>		
<b>18 Copper Bulb Strap</b>		
<b>19 Screw, #10-24 x .50</b>		

† Refer to Cross Reference Guide

## i450 Refrigeration Compartment – Air-Cooled



**DESCRIPTION**

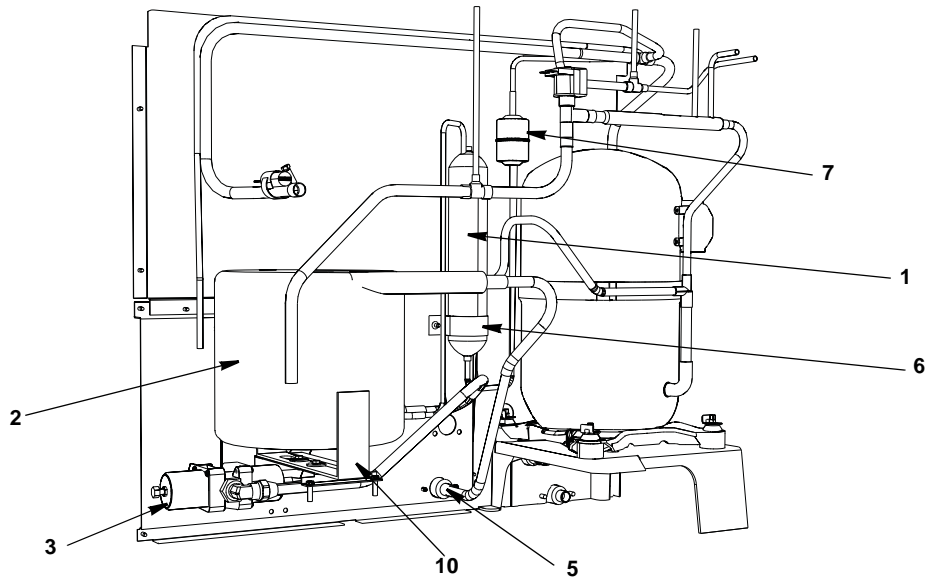
	<b>DESCRIPTION</b>	<b>PART NO.</b>
1	Air Condenser . . . . .	82-5212-9
2	Fan Motor	
	a. 115V/60 Hz . . . . .	24-1292-9
	b. 208-230V/60 Hz or 230V/50 Hz . . . . .	24-1293-9
3	Fan Blade. . . . .	24-1620-3

**Miscellaneous – Brackets, Screws, etc.**

4	Fan Shroud . . . . .	606168-9
5	Fan Motor Bracket . . . . .	606186-9
6	Fan Motor Mounting Screw . . . . .	† 50-3358-9
	a. Fan Motor Mounting Lockwasher . . . . .	† 55-4510-9
	b. Fan Motor Mounting Hexnut . . . . .	† 54-2952-9
7	Fan Bracket Mounting	
	a. Screw . . . . .	50-3238-9
	b. Lockwasher. . . . .	† 55-4510-9
	c. Flatwasher . . . . .	† 55-7305-9
	d. Rubber Wellnut . . . . .	† 54-2955-9
8	Screw, #10-24 x .50 . . . . .	† 52-0206-9

† Refer to Cross Reference Guide

## i450 REFRIGERATION COMPARTMENT – WATER-COOLED



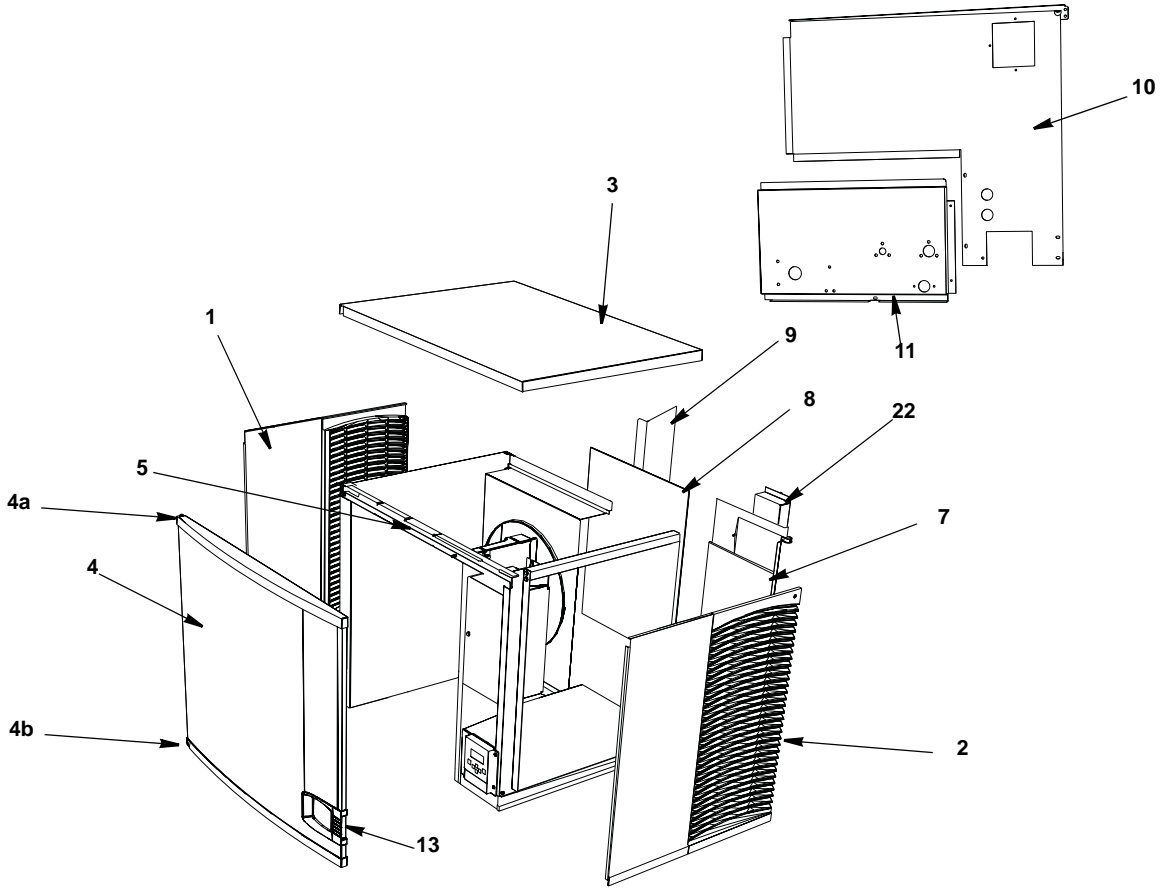
### DESCRIPTION

	<b>PART NO.</b>
1 Receiver . . . . .	12-0003-1
2 Water-cooled Condenser . . . . .	000000046
3 Water Regulating Valve . . . . .	000007546
a. Bracket . . . . .	000007695
4 High Pressure Water Regulating Valve. . . . .	000007514
a. Bracket . . . . .	000007518
b. Panel . . . . .	000008482
5 Condenser Water Drain Female Wing Adapter . . . . .	87-0608-3

### Miscellaneous – Brackets, Screws, etc.

6 Receiver Strap . . . . .	600054-1
7 Elbow 3/8 MF x 3/8 MPT . . . . .	50-0215-9
8 Screw, #10-24 x .50 . . . . .	52-0206-3
9 Washer . . . . .	55-7341-9
10 Base, Water Condenser/Receiver . . . . .	605865-9

# i450 PANELS



**DESCRIPTION**

DESCRIPTION	PART NO.
1 Left Side Panel . . . . .	00005217
2 Right Side Panel . . . . .	00005215
3 Top Cover . . . . .	00006699
4 Front Panel Assembly . . . . .	00006577
a. Top Endcap . . . . .	00006538
b. Bottom Endcap . . . . .	00006539
5 Front Top Support . . . . .	00006730
Mounting Screw Left Side 8-32 x 1 . . . . .	50-0537-9
Mounting Screw Right Side 10-24 x .50 . . . . .	50-0509-9
6 Back Coupling Panel, Drain/Water Connection (Compressor Base) . . . . .	606170-9
<b>Air-Cooled Back Panels</b>	
7 Back Panel with Electrical Connection Box, Air-cooled Models . . . . .	606203-9
8 Air Filter . . . . .	30-0593-9
9 Air Baffle Assembly . . . . .	00007314
<b>Water-Cooled &amp; Remote Air-Cooled Back Panels</b>	
10 Back Panel with Electrical Connection Box . . . . .	607207-1
11 Back Coupling Panel, Water-Cooled/Remote Connections . . . . .	606173-9
12 Drain Fitting . . . . .	87-0608-3
<b>Miscellaneous – Brackets, Screws, etc.</b>	
13 Front Panel LCD Frame . . . . .	
a. With Key Guard . . . . .	00006647
b. Without Key Guard . . . . .	00006564
c. Display Cover (hides the display completely) . . . . .	K00433
14 Door Screw . . . . .	50-0489-9
15 Bottom Door Frame . . . . .	76-0226-3
a. Mounting Screw Left Side 8-32 x 1 PHIL . . . . .	50-0537-9
b. Mounting Screw Right Side 10/24 x .50 PHIL . . . . .	52-0209-9
16 Left Door Pivot Leaf Hinge (Top or Bottom) . . . . .	30-0557-9
a. Mounting Screw 8-32 x 1 PHIL . . . . .	50-0537-9
17 Left Top Channel . . . . .	606864-9
18 Right Top Channel . . . . .	606257-9
19 Left Corner Post . . . . .	606293-9
20 Right Corner Post . . . . .	606292-9
21 Electrical Connection Box Cover . . . . .	Included in Back Panel Assembly
22 <b>Electrical Box on Rear of Ice Machine</b> . . . . .	
a. Box . . . . .	Included in Back Panel Assembly
b. Terminal Block 3 Pole . . . . .	20-0614-3
c. Groundscrew #10-24 x .50 . . . . .	52-0216-9

**INTENTIONALLY LEFT BLANK**