



## **Ice Machine Parts List for Series i-850 Models**

**iD0852A**

**iY0854A**

**iD0853W**

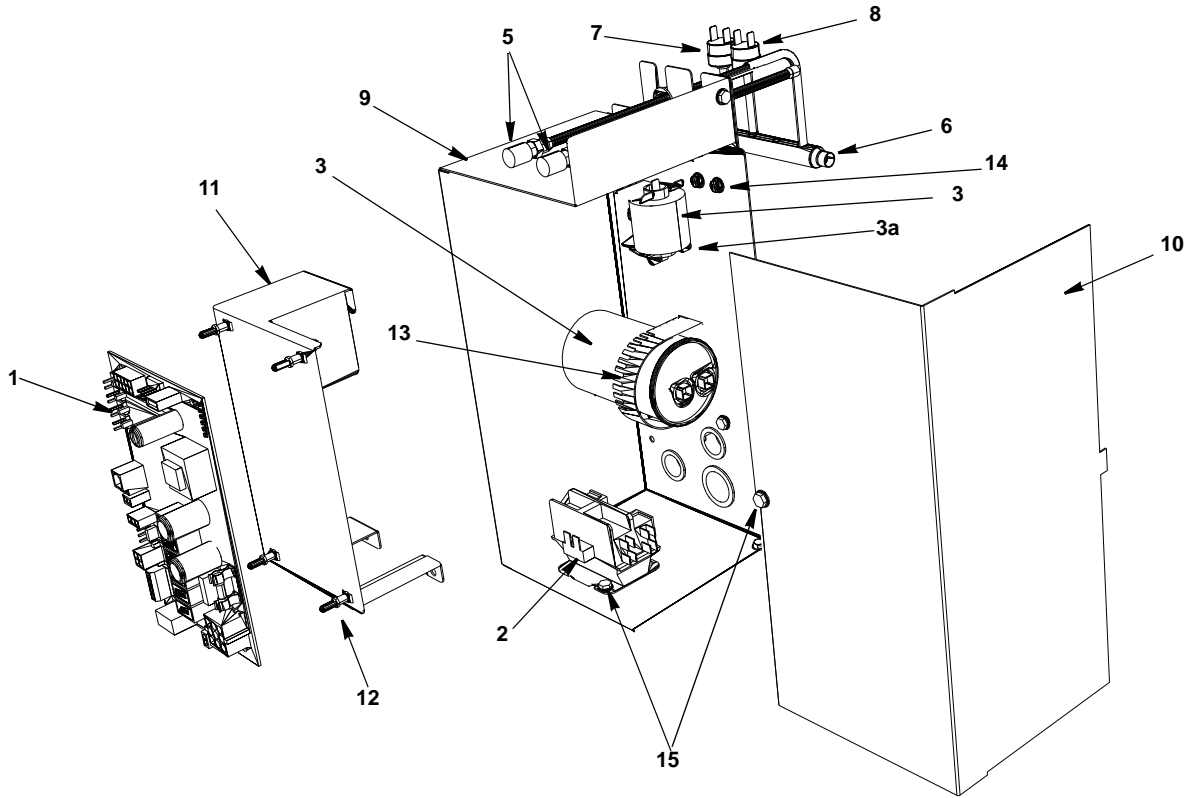
**iY0855W**

**iD0892N**

**iY0894N**

**JC0895**

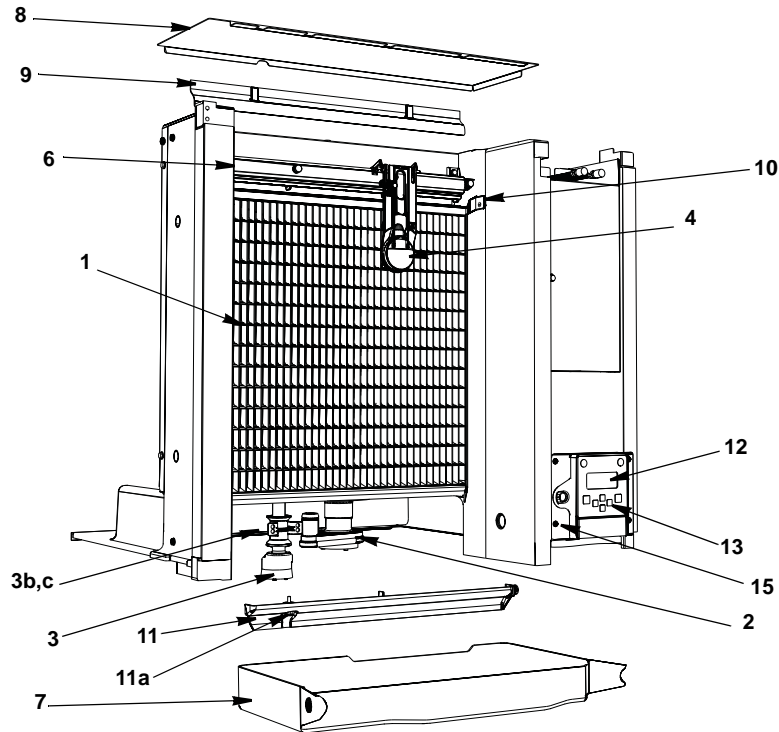
# i850 CONTROL BOX



## DESCRIPTION

DESCRIPTION	PART NO.
1 Control Board (for use with all voltages) . . . . .	00008309
a. 8 amp Ceramic Fuse – Mounted on Control Board . . . . .	00009181
2 <b>Contactor</b>	
a. 208-230V/60 Hz/1ph or 230V/50 Hz/1ph . . . . .	20-0659-9
b. 230V/60 Hz/3ph . . . . .	20-0661-9
3 <b>PTCR Compressor Starter</b> . . . . .	85-0499-3
a. Bracket . . . . .	85-0501-3
4 <b>Compressor Run Capacitor</b>	
a. 208-230V/50-60 Hz/1ph . . . . .	85-0393-3
5 Refrigeration Service Valve Assembly . . . . .	83-7326-3
6 Manifold Strainer . . . . .	82-5104-9
a. Bracket . . . . .	605857-1
7 High Pressure Cut-out (Auto Reset) . . . . .	20-0124-3
8 Fan Cycling Control . . . . .	† 20-0126-3
<b>Miscellaneous – Brackets, Screws, etc.</b>	
9 Control Box . . . . .	00007563
10 Control Box Cover . . . . .	00007569
11 Control Board Mounting Bracket . . . . .	00007564
12 Control Board Mounting Supports . . . . .	43-0225-3
13 Capacitor Mounting Strap . . . . .	602495-3
14 Screws, #10-24 x .50 Ground. . . . .	52-0216-9
a. Star Washer . . . . .	55-7320-9
15 Screw, #10-24 x .50 . . . . .	52-0206-9
16 Lockwashers . . . . .	55-7320-9
17 Control Box Bushings	
a. Large (1) . . . . .	25-0001-9
b. Small (4) . . . . .	25-0140-9
18 <b>Control Box Wiring Harness (Not shown)</b>	
a. 230/60/1 . . . . .	00007179
b. 230/50/1 . . . . .	00007180
c. 230/60/3 . . . . .	00007181
19 <b>Compressor Compartment Wiring Harness (Not shown)</b>	
a. Air-cooled . . . . .	00007185
b. Water-cooled . . . . .	00007177
c. Remote Air-cooled . . . . .	00007184

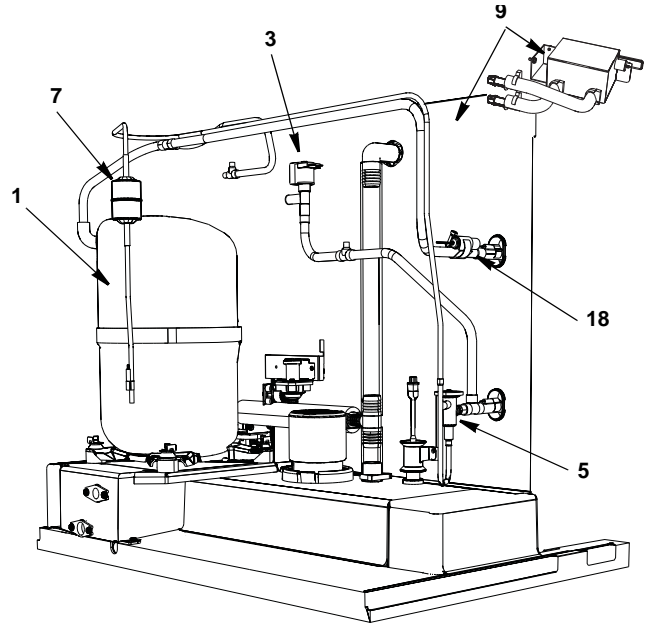
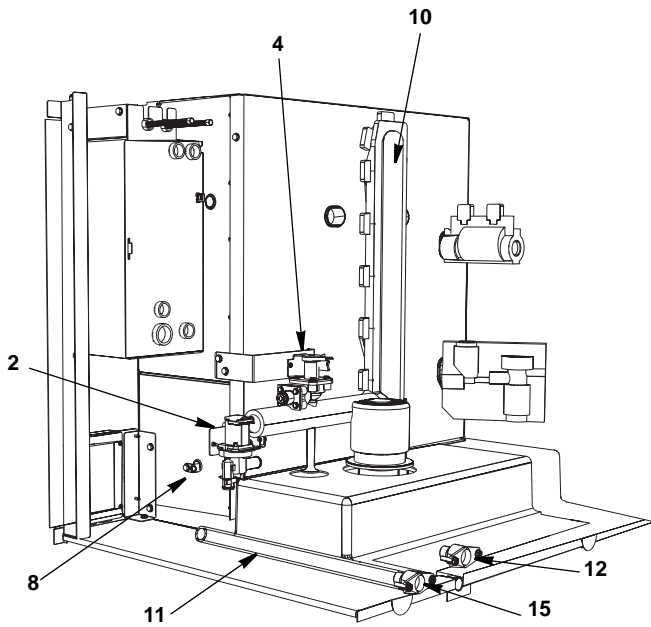
## i850 EVAPORATOR COMPARTMENT - COMMON COMPONENTS



### DESCRIPTION

	DESCRIPTION	PART NO.
1	<b>Evaporator Assembly</b>	
	a. Dice Cube . . . . .	76-0216-3
	b. Half Dice Cube . . . . .	76-0217-3
2	<b>Water Pump</b>	
	a. 230V/60 Hz 1/3PH . . . . .	82-5113-9
	b. 230/50/1 . . . . .	82-5270-9
3	<b>Water Level Probe</b> . . . . .	000007052
	a. Wire, control box to probe (Not shown) . . . . .	000007724
	b. Holder . . . . .	000007053
	c. Screw (Mount Water Level Probe Holder) . . . . .	52-0209-9
4	Ice Thickness Control Probe . . . . .	000008660
5	Water Curtain (Not shown) . . . . .	40-1098-9
6	Water Distribution Tube Assembly . . . . .	76-0219-3
	a. O-Rings (Back of Distribution Assembly) . . . . .	50-0464-9
7	Water Trough . . . . .	40-0360-9
8	Foodzone Seal Panel . . . . .	000007613
9	Evaporator Top Filler Panel . . . . .	40-0846-9
	a. Stainless Steel Clamp . . . . .	606333-9
	b. Clamp Screw . . . . .	52-0209-9
10	Evaporator Top Frame Assembly . . . . .	76-0220-3
11	Water Diverter . . . . .	76-0221-3
	a. Thumbscrew . . . . .	53-0512-3
12	LCD Display . . . . .	000006728
13	Touch Pad with Housing . . . . .	000007926
14	LCD Wiring Harness (Not shown) . . . . .	000007737
15	Touch Pad/Housing Mounting Bracket . . . . .	000006697
16	Front Panel LCD Frame . . . . .	
	a. With Key Guard . . . . .	000006647
	b. Without Key Guard . . . . .	000006564
	c. Display Cover (hides the display completely) . . . . .	K00433
17	Ice Deflector (Not shown) . . . . .	000006700
<b>Miscellaneous – Brackets, Screws, etc.</b>		
18	Screw, (Water Distribution Tube Mounting) Each . . . . .	50-0479-9
	a. O-Ring . . . . .	50-0462-9
19	Screw, #12-16 x .687 Used to Mount Evaporator (Each) . . . . .	50-0461-9
20	Water Pump Base O-Ring . . . . .	50-0465-9
21	Water Pump Outlet O-Ring . . . . .	50-0467-9

# i850 REFRIGERATION COMPARTMENT – COMMON PARTS

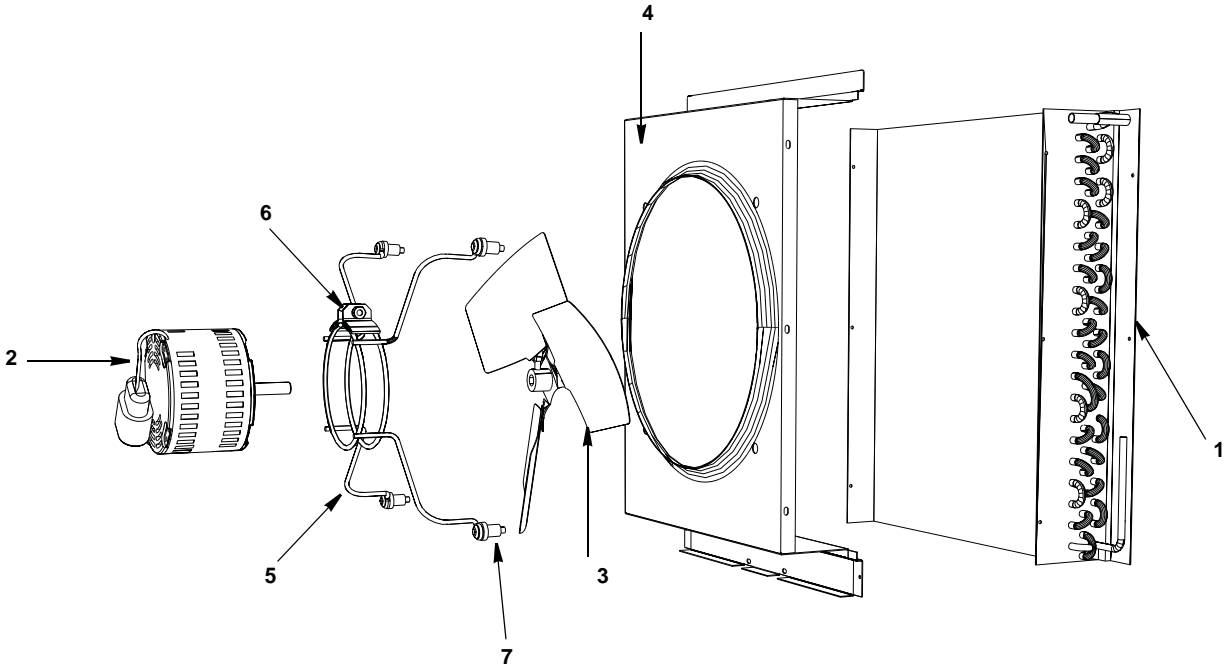


## DESCRIPTION

## PART NO.

<b>1 Compressor</b>		
a. 208-230V/50-60 Hz/1 Ph. ....		000008723
a. 208-230V/60 Hz/3 Ph. ....		000008724
b. Molded Plug .....		20-0623-3
<b>2 Water Dump Valve (with bracket)</b>		
a. 208-230V/50-60 Hz. ....		000001768
b. Mounting Bracket .....		605845-9
c. Dump Valve Tubing 3.25 inches .....		44-2038-3
<b>3 Harvest Valve</b>		
a. Harvest Valve Including 208/230V 50/60 Hz Electrical Coil .....		000007015
b. Harvest Valve 208/230V Coil Only Danfoss .....		000005157
<b>4 Water Inlet Valve</b>		
a. Water Inlet Valve Including 208-230V/50-60 Hz Coil .....		000007966
b. Water Inlet Valve Bracket .....		000007594
<b>5 Expansion Valve</b>		
a. Expansion Valve Body Insulation Boot .....		76-0225-3
b. Expansion Valve Bulb Insulation Boot .....		40-0036-3
<b>6 Thermistors with Spring Clips</b> .....		40-0720-3
<b>7 Drier</b> .....		000008310
<b>8 Magnetic Bin Switch</b>		89-3027-9
a. Wiring Harness .....		000007710
<b>9 Luminlce.</b>		000007410
a. Luminlce Bulb .....		K00424
b. Luminlce Wiring Harness .....		K00425
c. Bulkhead Fitting 2.25" .....		000007409
d. Bulkhead Fitting 2.75" .....		000007990
<b>10 Insulated Tube (vinyl tubing from distribution tube to water pump &amp; dump valve).</b>		000008269
a. Clamp 0.859/0.989 ID. ....		000003406
b. Clamp 0.799/0.899 ID. ....		56-5060-3
<b>11 Vinyl Tubing 0.625 ID (dump valve to drain adapter).</b>		56-5070-3
a. Insulation. ....		000001382
b. Clamp .....		603883-1
		56-5070-9
<b>Miscellaneous – Brackets, Screws, etc.</b>		
<b>12 Water Inlet Wing Adapter.</b>		87-0609-3
a. Adapter Plastic Fitting. ....		13-6096-1
<b>13 Water Inlet Valve Tubing</b> .....		40-1043-9
<b>14 Connector Water Inlet Valve</b> .....		13-6098-9
<b>15 Water Drain Wing Adapter.</b>		87-0613-3
<b>16 Compressor Mounting</b>		
a. Base .....		606170-9
b. Rubber Grommet .....		† 85-0306-9
c. Sleeve .....		85-0394-9
d. Bolt .....		50-0481-9
e. Nut .....		50-0482-9
<b>17 Clamp, Expansion Valve Bulb</b> .....		56-5052-9
<b>18 Copper Bulb Strap</b> .....		30-0050-3
<b>19 Screw, #10-24 x .50.</b>		52-0206-9

## i850 Refrigeration Compartment – Air-Cooled



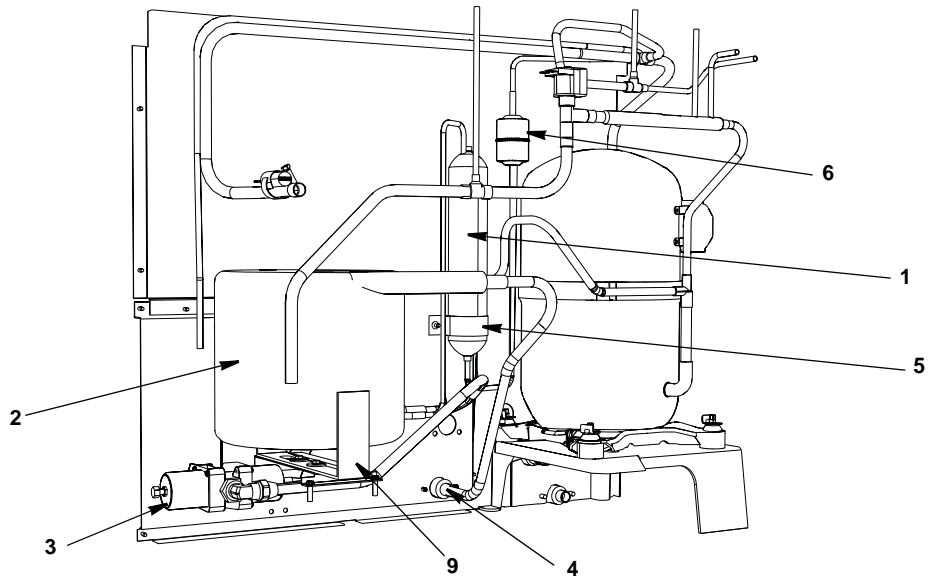
### DESCRIPTION

	DESCRIPTION	PART NO.
1	Air Condenser .....	82-5239-9
2	Fan Motor	
	a. 208-230V/60 Hz or 230V/50 Hz .....	000003033
3	Fan Blade.....	24-1612-3

### Miscellaneous – Brackets, Screws, etc.

4	Fan Shroud .....	605811-9
5	Fan Motor Bracket .....	30-0684-3
6	Fan Motor Mounting Screw .....	† 50-3358-9
	a. Fan Motor Mounting Lockwasher .....	† 55-4510-9
	b. Fan Motor Mounting Hexnut .....	† 54-2952-9
7	Fan Bracket Mounting	
	a. Screw .....	50-3238-9
	b. Lockwasher.....	† 55-4510-9
	c. Flatwasher .....	† 55-7305-9
	d. Rubber Wellnut .....	† 54-2955-9
8	Screw, #10-24 x .50 .....	† 52-0206-9

## i850 REFRIGERATION COMPARTMENT – WATER-COOLED



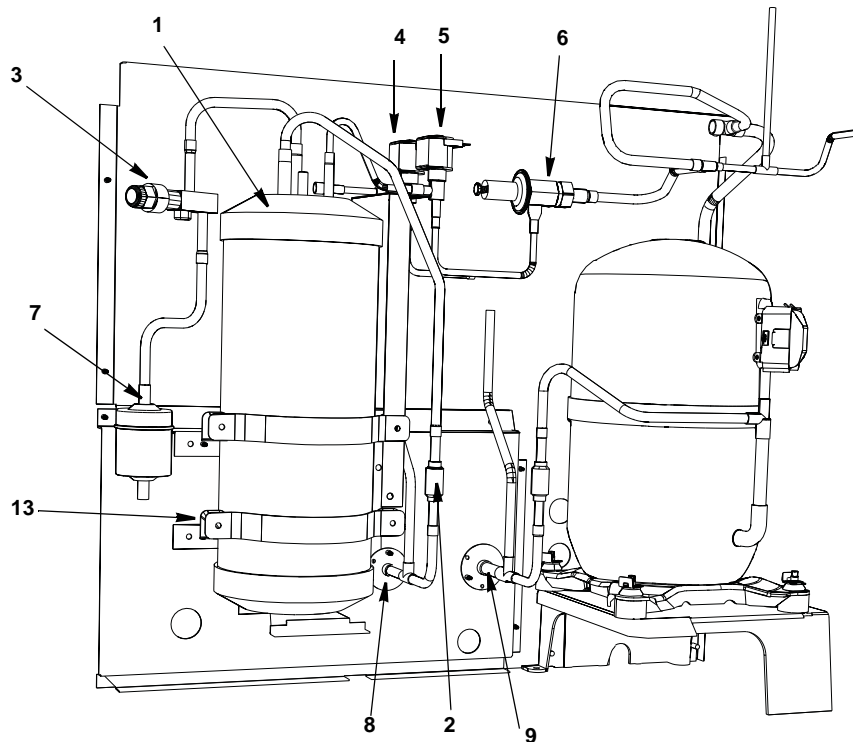
**DESCRIPTION**

	<b>PART NO.</b>
1 Receiver . . . . .	89-0012-3
2 Water-cooled Condenser . . . . .	000001507
3 Water Regulating Valve . . . . .	83-4206-9
a. Bracket . . . . .	000007695
4 Condenser Water Drain Female Wing Adapter . . . . .	87-0608-3

**Miscellaneous – Brackets, Screws, etc.**

5 Receiver Strap . . . . .	600054-1
6 Elbow 3/8 MF x 3/8 MPT . . . . .	50-0215-9
7 Screw, #10-24 x .50 . . . . .	52-0206-3
8 Washer . . . . .	55-7341-9
9 Base, Water Condenser/Receiver . . . . .	605865-9

## i850 REFRIGERATION COMPARTMENT – REMOTE



### DESCRIPTION

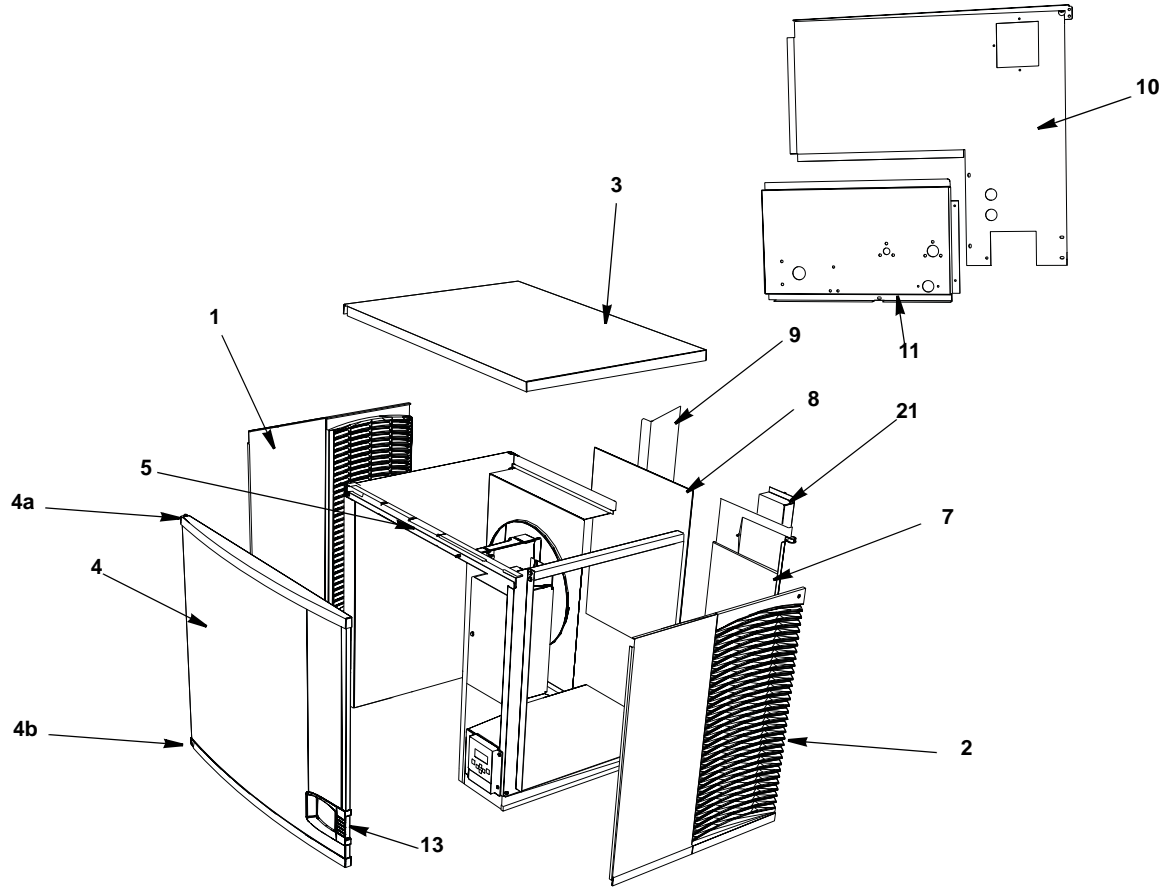
		<b>PART NO.</b>
1	Receiver . . . . .	89-0000-3
2	Magni-Check Valve . . . . .	† 83-7314-9
3	Refrigeration Service Valve . . . . .	† 83-7316-9
	a. Cap for Refrigeration Service Valve . . . . .	56-5075-9
4	<b>Harvest Pressure Regulating Solenoid (HPR) Valve</b>	
	a. HPR Valve Including 230V 50-60 Hz Electrical Coil (Danfoss) . . . . .	000007032
	b. HPR Valve 230V 50-60 Hz Coil Only Danfoss . . . . .	000005157
5	<b>Liquid Line Solenoid (LLS) Valve</b>	
	a. LLS Valve Including 230V 50-60 Hz Electrical Coil (Danfoss) . . . . .	000007034
	b. LLS Valve 230V 50-60 Hz Coil Only Danfoss . . . . .	000005157
6	Harvest Pressure Regulating Valve (HPR) . . . . .	† 83-6779-3
7	Drier . . . . .	89-3027-9
8	Coupling – Male, 5/8-18 . . . . .	† 83-6034-3
9	Coupling – Male, 1-1/6-12 . . . . .	† 83-6035-3

### Miscellaneous – Brackets, Screws, etc.

10	Coupling Mounting Flange for 5/8-18 . . . . .	83-6005-3
11	Coupling Mounting Flange for 1-1/16-12 . . . . .	83-6006-3
12	Drier Support Bracket . . . . .	56-5061-9
13	Receiver Mounting	
	a. Bracket (between receiver and panel) . . . . .	600056-1
	b. Strap . . . . .	630721-4
	c. Support Bracket . . . . .	000006721
	d. Base . . . . .	605865-9
	e. Screw, #10-24 x .50 . . . . .	† 52-0206-9

† Refer to Cross Reference Guide

# i850 PANELS

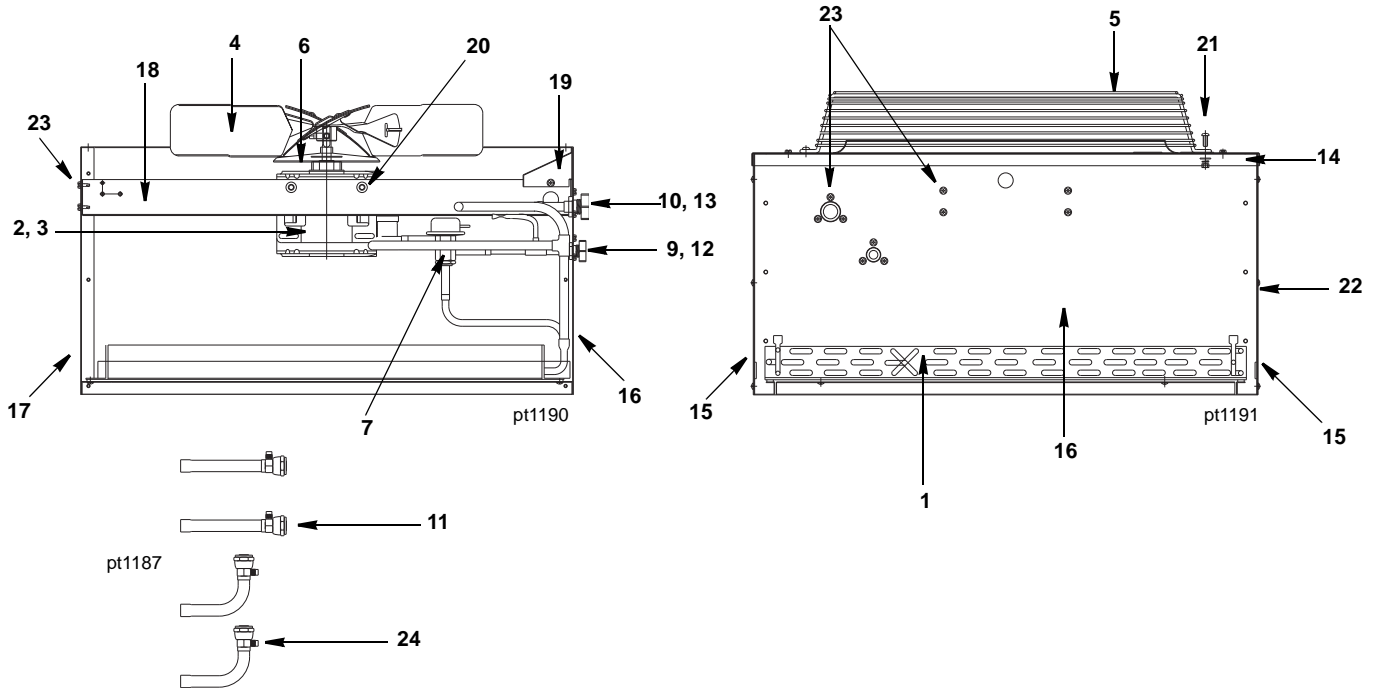


**DESCRIPTION**

	<b>DESCRIPTION</b>	<b>PART NO.</b>
1	Left Side Panel . . . . .	00005224
2	Right Side Panel . . . . .	00005222
3	Top Cover . . . . .	00006699
4	Front Panel Assembly . . . . .	00006578
4a	a. Top Endcap . . . . .	00006538
4b	b. Bottom Endcap . . . . .	00006539
5	Front Top Support . . . . .	00006730
	Mounting Screw Left Side 8-32 x 1 . . . . .	50-0537-9
	Mounting Screw Right Side 10-24 x .50 . . . . .	50-0509-9
6	Back Coupling Panel, Drain/Water Connection (Compressor Base) . . . . .	606170-9
<b>Air-Cooled Back Panels</b>		
7	Back Panel with Electrical Connection Box, Air-cooled Models . . . . .	606169-9
8	Air Filter . . . . .	30-0555-9
9	Air Baffle Assembly . . . . .	00007502
<b>Water-Cooled &amp; Remote Air-Cooled Back Panels</b>		
10	Back Panel with Electrical Connection Box . . . . .	605864-9
11	Back Coupling Panel, Water-Cooled/Remote Connections . . . . .	606173-9
12	Drain Fitting . . . . .	87-0608-3
<b>Miscellaneous – Brackets, Screws, etc.</b>		
13	Front Panel LCD Frame . . . . .	
	a. With Key Guard . . . . .	00006647
	b. Without Key Guard . . . . .	00006564
	c. Display Cover (hides the display completely) . . . . .	K00433
14	Door Screw . . . . .	50-0489-9
15	Bottom Door Frame . . . . .	76-0226-3
	a. Mounting Screw Left Side 8-32 x 1 PHIL . . . . .	50-0537-9
	b. Mounting Screw Right Side 10/24 x .50 PHIL . . . . .	52-0209-9
16	Left Door Pivot Leaf Hinge (Top or Bottom) . . . . .	30-0557-9
	a. Mounting Screw 8-32 x 1 PHIL . . . . .	50-0537-9
17	Left Top Channel . . . . .	606864-9
18	Right Top Channel . . . . .	606257-9
19	Left Corner Post . . . . .	606865-9
20	Right Corner Post . . . . .	00008752
21	Electrical Connection Box Cover . . . . .	Included in Back Panel Assembly
22	<b>Electrical Box on Rear of Ice Machine</b>	
	a. Box . . . . .	Included in Back Panel Assembly
	b. Terminal Block 3 Pole . . . . .	20-0614-3
	c. Groundscrew #10-24 x .50 . . . . .	52-0216-9



# JC0895 REMOTE CONDENSER



## DESCRIPTION

	<b>PART NO.</b>
1 Air Condenser .....	† 88-5062-9
2 Fan Motor (208-230V 50/60 Hz/1 Ph) .....	† 76-2941-3
3 Fan Motor Run Capacitor (Emerson) .....	85-0458-3
3 Fan Motor Run Capacitor (Magnatec) .....	No Longer Available
4 Fan Blade .....	24-1611-3
5 Fan Guard .....	34-0064-3
6 Rain Slinger .....	24-1505-3
7 Head Pressure Control .....	000004070
8 Terminal Block .....	000008040
9 Coupling – Male, 5/8-18 .....	† 83-6034-3
10 Coupling – Male, 1-1/6-12 .....	† 83-6035-3
11 Female Line Set Coupling Kit (Sold as Finished Goods Sales Kit) .....	Sales K0129

## Miscellaneous – Brackets, Screws, etc.

12 Coupling Mounting Flange (for 5/8-18) .....	83-6005-3
13 Coupling Mounting Flange (for 1-1/16-12) .....	83-6006-3
14 Top Cover .....	† 601775-1
15 Panel – Side .....	† 601774-1
16 Panel – Rear .....	† 601773-1
17 Panel – Front .....	† 601772-1
18 Fan Motor Mounting Bracket .....	† 601768-1
19 Electrical Box Cover .....	† 601776-1
20 <b>Fan Motor Mounting Screw</b> (5/16-18 x 5/8) .....	† 50-3565-9
a. Fan Motor Mounting Flatwasher .....	† 55-7309-9
b. Fan Motor Mounting Lockwasher .....	† 55-7313-9
c. Fan Motor Mounting Hexnut .....	54-2975-9
21 <b>Fan Guard Mounting Screw</b> (1/4-20 x 5/8) .....	† 50-3345-9
a. Fan Guard Mounting Flatwasher .....	† 55-7304-9
b. Fan Guard Mounting Lockwasher .....	† 55-4511-9
c. Fan Guard Mounting Hexnut .....	† 54-2952-9
22 <b>Panel/Condenser Mounting Screw</b> (#8 x 1/2) .....	† 51-2153-9
a. Panel/Condenser Mounting Lockwasher .....	† 55-4459-9
23 Screw (#10-24 x 1/2) .....	† 52-0206-9
24 Valve Cores (used in linesets) .....	76-2684-3
25 Legs (Not shown) (4 Req.) .....	† 601769-1

† Refer to Cross Reference Guide