



## **Ice Machine Parts List for Series i-1400 Models**

**iD1402A**

**iY1404A**

**iD1403W**

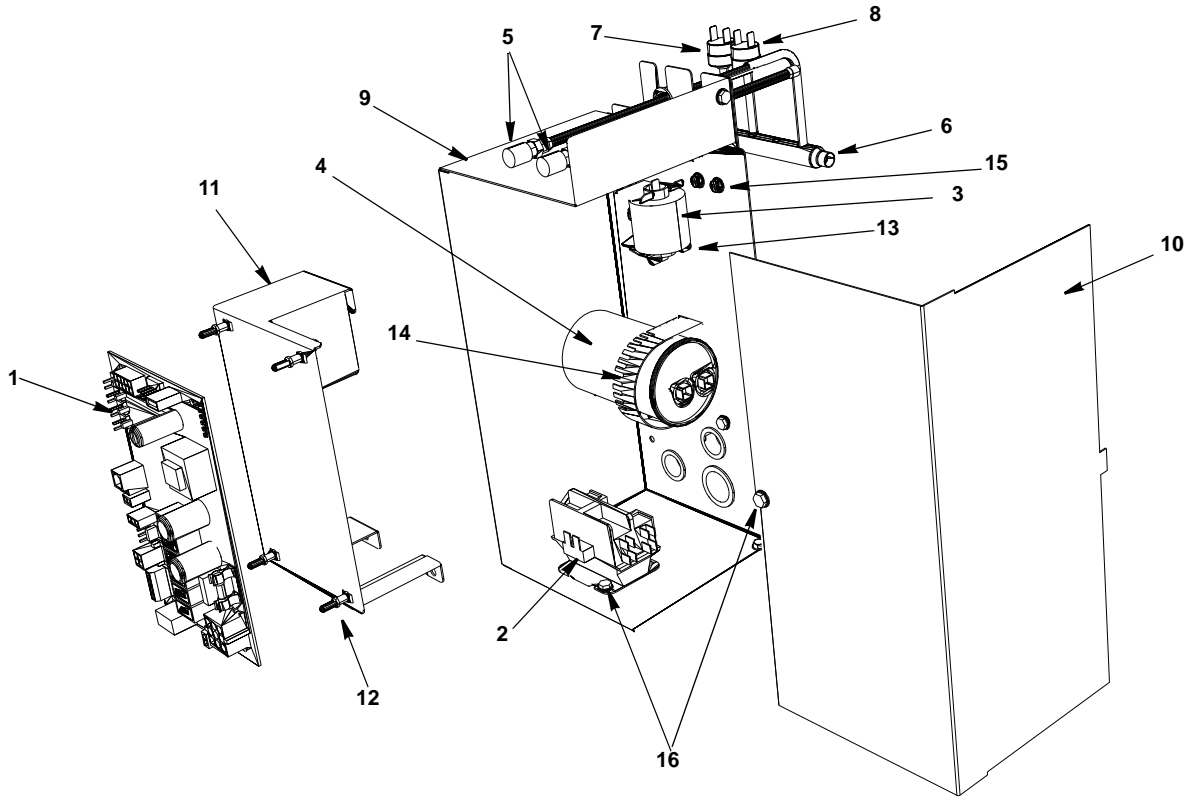
**iY1405W**

**iD1492N**

**iY1494N**

**JC1395**

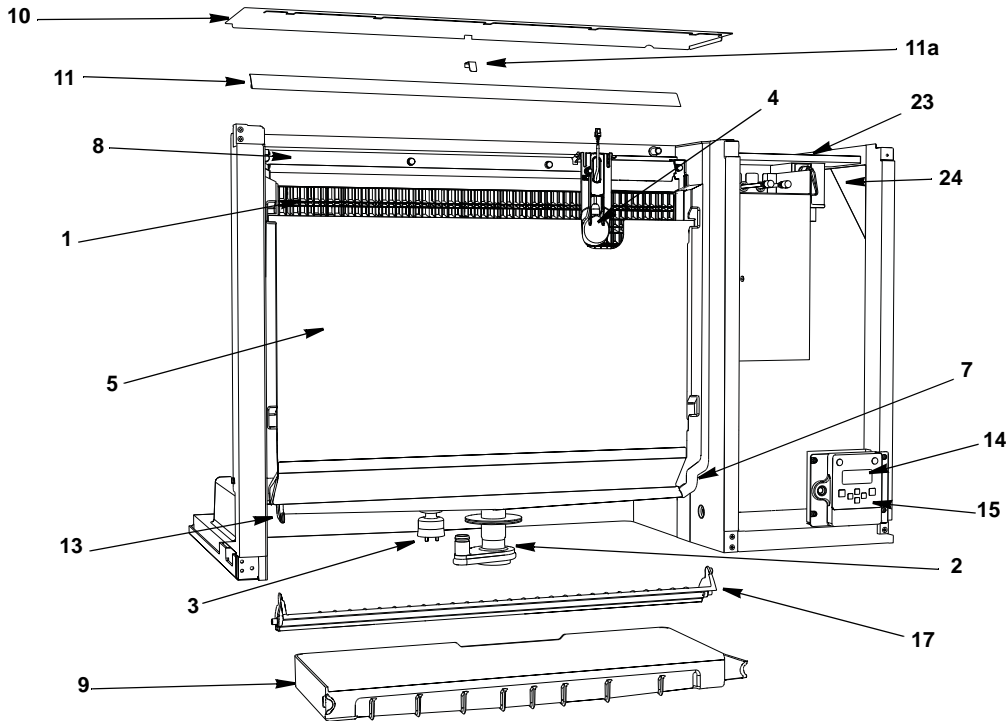
# i1400 CONTROL BOX



## DESCRIPTION

	DESCRIPTION		PART NO.
1	Control Board (for use with all voltages) .....		000008309
	a. 8 amp Ceramic Fuse – Mounted on Control Board .....		000009181
2	<b>Contactor</b>		
	a. 208-230V/60 Hz/1ph. ....		20-0908-9
	b. 208-230V/60 Hz/3ph. ....		20-0661-9
	c. 230V/50 Hz/1ph .....		000010003
3	PTCR Compressor Starter .....		85-0491-3
4	<b>Compressor Run Capacitor</b>		
	a. 208-230V/60 Hz/1ph) .....		000000028
	b. 208-230V/50 Hz/1ph) .....		000005488
5	Refrigeration Service Valve Assembly .....	83-7325-3 & 83-7326-3	
6	Manifold Strainer .....		82-5357-9
	a. Bracket .....		605857-1
7	High Pressure Cut-out (Auto Reset) .....		20-0124-3
8	Fan Cycling Control .....		20-0127-3
	<b>Miscellaneous – Brackets, Screws, etc.</b>		
9	Control Box .....		000008279
10	Control Box Cover .....		000007574
11	Control Board Mounting Bracket .....		000007564
12	Control Board Mounting Supports .....		43-0225-3
13	PTCR Compressor Starter Mounting Bracket .....		85-0495-3
14	Capacitor Mounting Bracket .....		603313-1
15	Screws, #10-24 x .50 Ground. ....		52-0216-9
	a. Star Washer .....		55-7320-9
16	Screw, #10-24 x .50 .....		52-0206-9
17	Lockwashers .....		55-7320-9
18	<b>Control Box Bushings</b>		
	a. Large (1) .....		25-0001-9
	b. Small (4) .....		25-0140-9
19	<b>Control Box Wiring Harness (Not shown)</b>		
	a. 230/60/1 .....		000007752
	b. 230/60/3 .....		20-0897-9
	c. 230/50/1 .....		000007753
	d. 460/60/3 .....		000008020
20	<b>Compressor Compartment Wiring Harness (Not shown)</b>		
	a. Air-cooled .....		000008257
	b. Water-cooled .....		000008258
	c. Remote-cooled .....		000008259
21	Electrical Noise Filter Wiring Harness		
	a. 460/60/3 .....		000005500

# i1400 EVAPORATOR COMPARTMENT - COMMON COMPONENTS

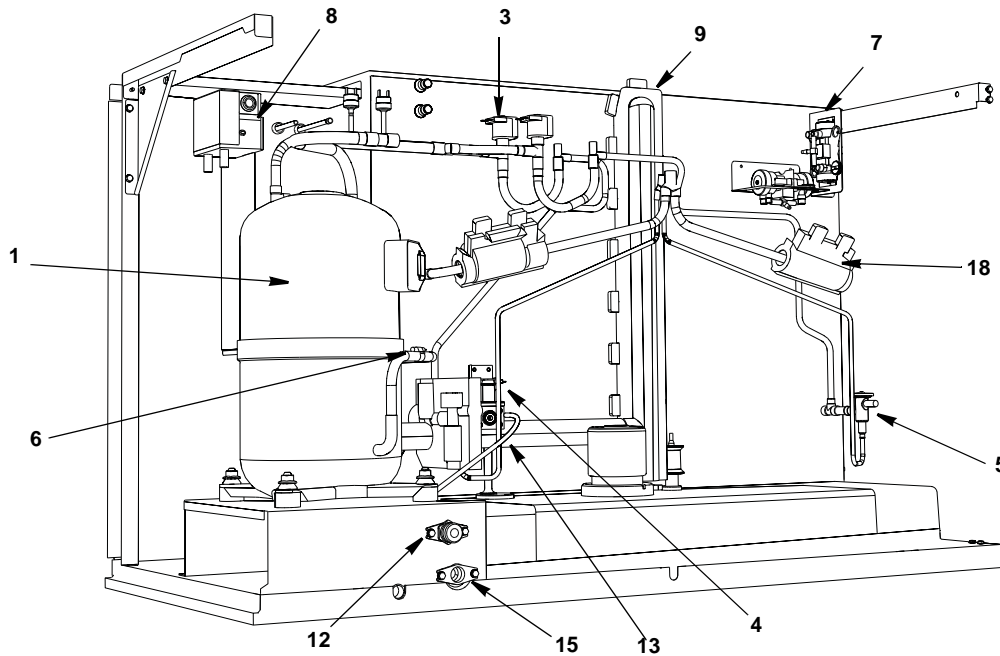


## DESCRIPTION

## PART NO.

1	<b>Evaporator Assembly</b>	
	a. Dice Cube . . . . .	
	b. Half Dice Cube . . . . .	
2	<b>Water Pump</b>	
	a. 230V/60 Hz 1/3PH . . . . .	82-5210-9
	b. 230/50/1 . . . . .	20-0738-9
3	<b>Water Level Probe.</b>	000007052
	a. Wire, control box to probe (Not shown). . . . .	000007724
	b. Holder . . . . .	000007053
	c. Screw (Mount Water Level Probe Holder) . . . . .	52-0209-9
4	Ice Thickness Control Probe. . . . .	000008660
5	Splash Shield Assembly . . . . .	
6	Ice Damper Assembly. . . . .	
7	<b>Magnetic Bin Switch.</b>	000008110
	a. Wiring Harness . . . . .	000007888
8	Water Distribution Tube Assembly . . . . .	000007410
	a. O-Rings (Back of Distribution Assembly) . . . . .	76-0319-3
9	Water Trough . . . . .	50-0464-9
10	Foodzone Seal Panel . . . . .	000009112
11	Evaporator Top Filler Panel . . . . .	000008253
	a. Stainless Steel Clamp . . . . .	000008805
	b. Clamp Screw. . . . .	000008847
		52-0209-9
12	Evaporator Top Frame Assembly . . . . .	
13	Evaporator Bottom Frame Assembly . . . . .	
14	LCD Display . . . . .	000006728
15	Touch Pad with Housing . . . . .	000007926
16	LCD Wiring Harness (Not shown). . . . .	000007737
17	Touch Pad/Housing Mounting Bracket . . . . .	000008091
18	Front Panel LCD Frame	
	a. With Key Guard. . . . .	000008090
	b. Without Key Guard . . . . .	000008089
	c. Display Cover (hides the display completely) . . . . .	K00433
<b>Miscellaneous – Brackets, Screws, etc.</b>		
19	Screw, (Water Distribution Tube Mounting) Each . . . . .	50-0479-9
	a. O-Ring. . . . .	50-0462-9
20	Screw, #12-16 x .687 Used to Mount Evaporator (Each) . . . . .	50-0461-9
21	Water Pump Base O-Ring . . . . .	50-0465-9
22	Water Pump Outlet O-Ring. . . . .	50-0467-9
23	Support Bracket . . . . .	000008710
24	Angled Support Bracket . . . . .	000008712

# i1400 REFRIGERATION COMPARTMENT – COMMON PARTS

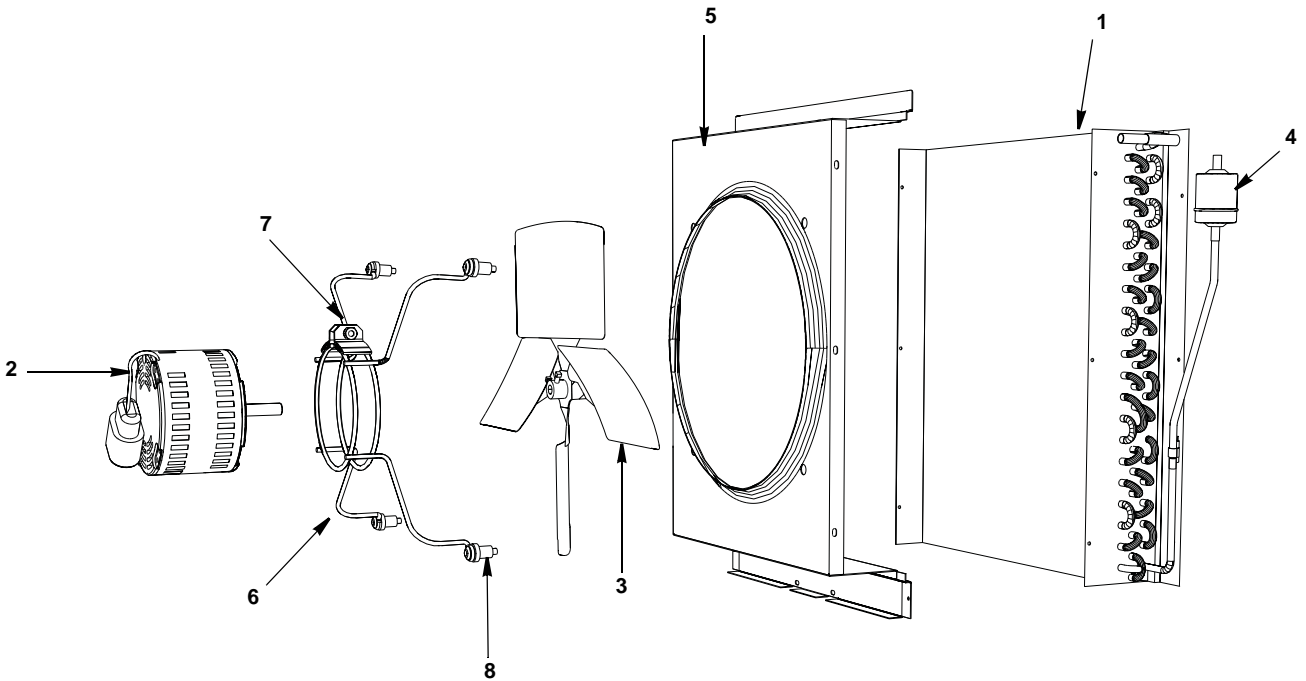


## DESCRIPTION

## PART NO.

<b>1 Compressor</b>	
a. 208-230V/60 Hz/1 Ph .....	000008441
b. 208-230V/60 Hz/3 Ph .....	000008442
c. 230V/50 Hz/1 Ph .....	000008443
d. 460V/60 Hz/3 Ph .....	000008444
e. Molded Plug .....	000005176
<b>2 Water Dump Valve (with bracket)</b>	
a. Dump Valve, 208-230V/50-60 Hz .....	000001768
b. Mounting Bracket .....	605845-9
c. Dump Valve Tubing 3.25 inches .....	44-2038-3
<b>3 Harvest Valve</b>	
a. Harvest Valve Including 208/230V 50/60 Hz Electrical Coil .....	000007017
b. Harvest Valve 208/230V Coil Only Danfoss .....	000005157
<b>4 Water Inlet Valve</b>	
a. Water Inlet Valve Including 208-230V/50-60 Hz Coil .....	000007966
b. Water Inlet Valve Bracket .....	000008582
<b>5 Expansion Valve</b>	
a. Expansion Valve Body Insulation Boot .....	76-0324-3
b. Expansion Valve Bulb Insulation Boot .....	40-1329-9
<b>6 Thermistors with Spring Clips</b>	
<b>7 Air Assist</b>	
a. 230V with brackets .....	000007223
b. Manifold Tee (Air Pump Tubing Outlet) .....	40-1173-9
c. Bracket .....	000006489
d. Nozzle .....	30-0145-3
<b>8 LuminIce</b>	
a. LuminIce Bulb .....	K00434
b. LuminIce Wiring Harness .....	K00425
c. Bulkhead Fitting 2.25" .....	000007409
d. Bulkhead Fitting 2.75" .....	000007990
<b>9 Insulated Tube (vinyl tubing from distribution tube to water pump &amp; dump valve)</b>	
a. Clamp 0.859/0.989 ID .....	000008269
b. Clamp 0.799/0.899 ID .....	000003407
<b>10 Vinyl Tubing 0.625 ID (dump valve to drain adapter)</b>	
a. Insulation .....	56-5060-9
b. Clamp .....	56-5070-9
<b>11 Heat Exchanger</b>	
	000001382
	603883-1
	56-5070-9
	000009316
<b>Miscellaneous – Brackets, Screws, etc.</b>	
<b>12 Water Inlet Wing Adapter</b>	
a. Adapter Plastic Fitting .....	87-0609-3
<b>13 Water Inlet Valve Tubing</b>	
	13-6096-1
<b>14 Connector Water Inlet Valve</b>	
	40-1043-9
<b>15 Water Drain Wing Adapter</b>	
	13-6098-9
<b>16 Compressor Mounting</b>	
a. Base .....	87-0613-3
b. Rubber Grommet .....	
c. Sleeve .....	606590-9
d. Bolt .....	† 85-0306-9
e. Nut .....	85-0394-9
<b>17 Clamp, Expansion Valve Bulb</b>	
	50-0481-9
<b>18 Copper Bulb Strap</b>	
	50-0482-9
<b>19 Screw, #10-24 x .50</b>	
	56-5052-9
	30-0050-3
	52-0206-9

# i1400 REFRIGERATION COMPARTMENT – AIR-COOLED



## DESCRIPTION

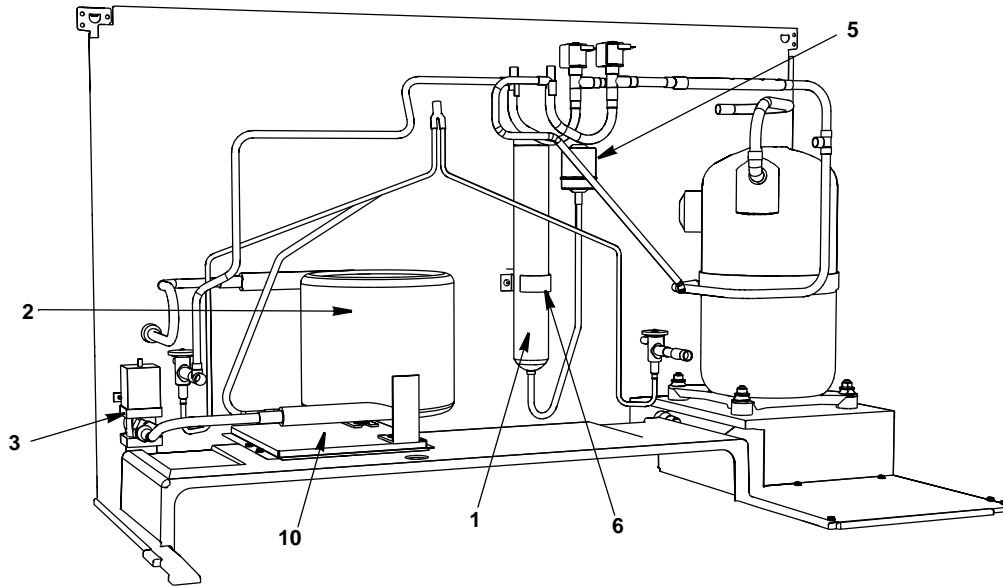
	DESCRIPTION	PART NO.
1	Air Condenser . . . . .	88-5128-3
2	Fan Motor (208-230V/60 Hz or 230V/50 Hz) . . . . .	76-2673-3
3	Fan Blade . . . . .	24-1611-3
4	Drier . . . . .	89-3027-9

## Miscellaneous – Brackets, Screws, etc.

5	Fan Shroud . . . . .	606849-9
6	Fan Motor Bracket . . . . .	30-0682-3
7	Fan Motor Mounting	
	a. Screw . . . . .	† 50-3358-9
	b. Lockwasher . . . . .	† 55-4510-9
	c. Hexnut . . . . .	† 54-2952-9
8	Fan Bracket Mounting	
	a. Screw . . . . .	50-3238-9
	b. Lockwasher . . . . .	† 55-4510-9
	c. Flatwasher . . . . .	† 55-7305-9
	d. Rubber Wellnut . . . . .	† 54-2955-9
9	Screw, #10-24 x .50 . . . . .	† 52-0206-9

† Refer to Cross Reference Guide

## i1400 REFRIGERATION COMPARTMENT – WATER-COOLED



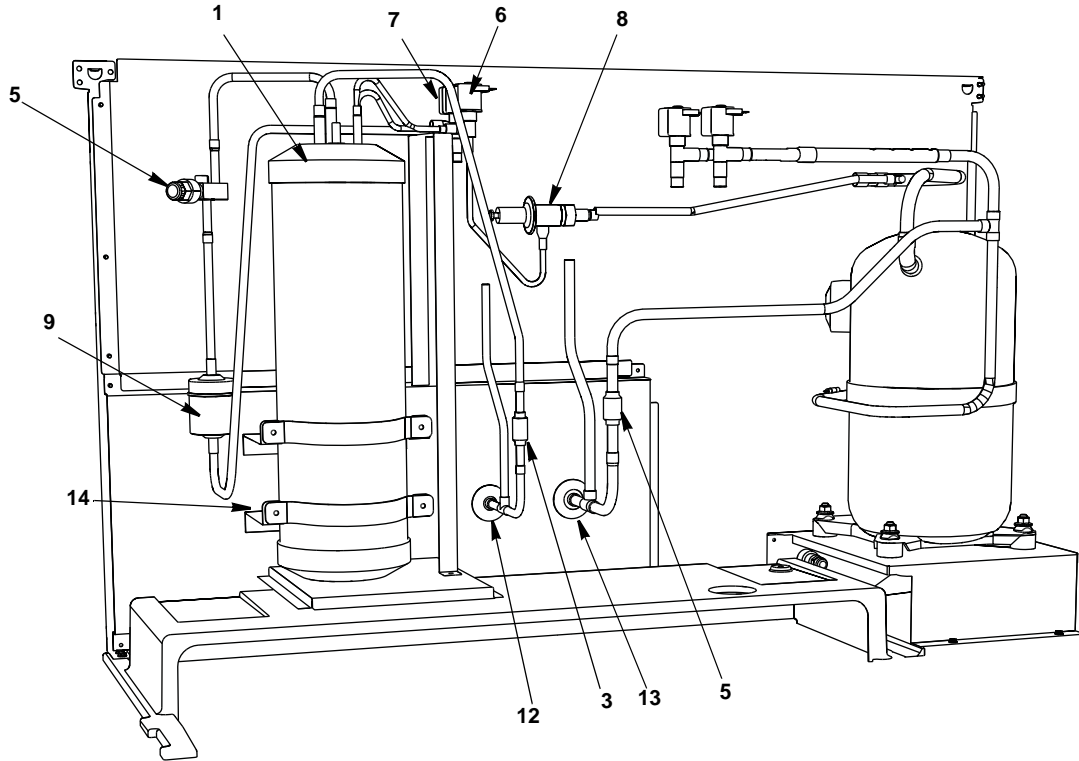
### DESCRIPTION

DESCRIPTION	PART NO.
1 Receiver .....	76-2092-3
2 Water-cooled Condenser .....	000001508
3 Water Regulating Valve .....	83-7212-3
4 Condenser Water Drain Female Wing Adapter .....	87-0608-3
5 Drier .....	89-3027-9

### Miscellaneous – Brackets, Screws, etc.

6 Receiver Strap .....	600054-1
7 Elbow .50 MF x .375 MPT .....	50-0224-9
8 Screw, #10-24 x .50 .....	52-0206-9
9 Washer .....	55-7341-9
10 Base, Water Condenser/Receiver .....	606684-9

## i1400 REFRIGERATION COMPARTMENT – REMOTE



### DESCRIPTION

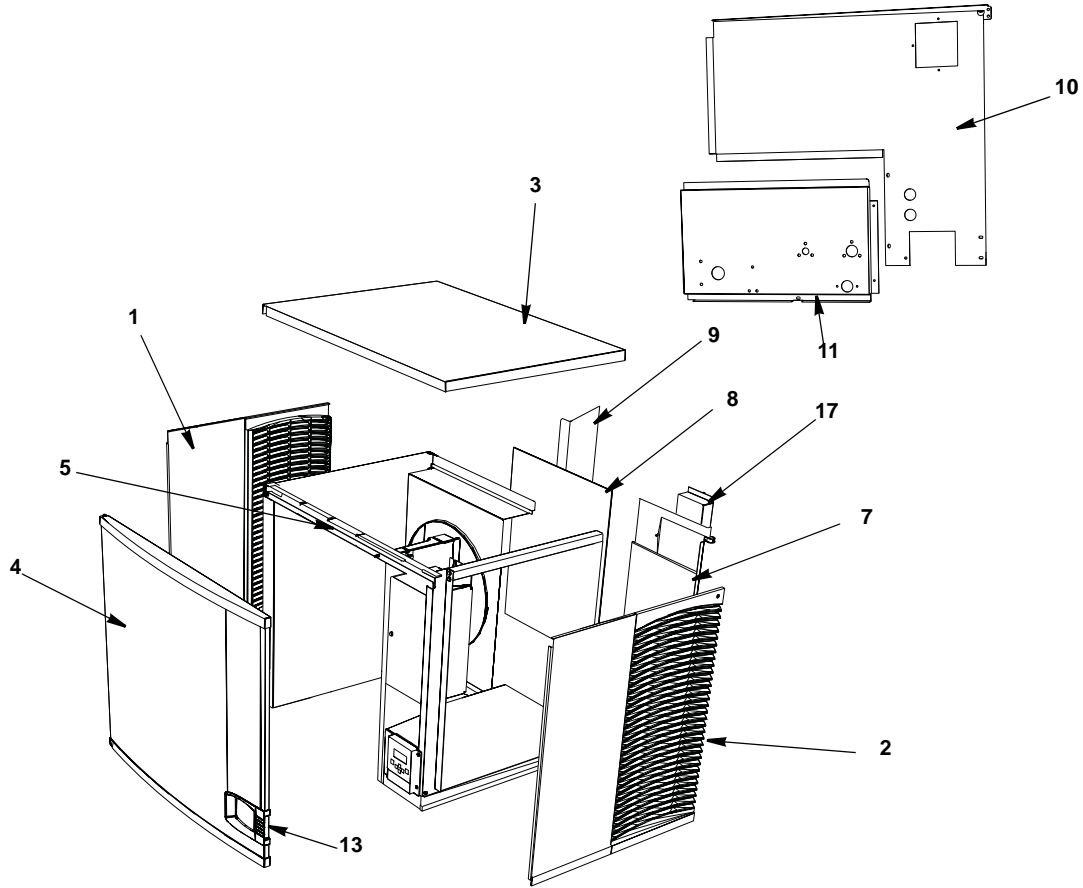
	PART NO.
1 Receiver . . . . .	76-2958-3
2 Magni-Check Valve . . . . .	† 83-7314-9
3 Check Valve . . . . .	† 83-7315-9
4 Refrigeration Service Valve . . . . .	† 83-7316-9
a. Cap for Refrigeration Service Valve . . . . .	56-5075-9
5 <b>Harvest Pressure Regulating Solenoid (HPR) Valve</b>	
a. HPR Valve Including 208/230V 50/60 Hz Electrical Coil (Danfoss) . . . . .	000007034
b. HPR Valve 208/230V 50/60 Hz Coil Only Danfoss . . . . .	000005157
6 <b>Liquid Line Solenoid (LLS) Valve</b>	
a. LLS Valve Including 208/230V 50/60 Hz Electrical Coil (Danfoss) . . . . .	000007026
b. LLS Valve 208/230V 50/60 Hz Coil Only Danfoss . . . . .	000005157
7 Harvest Pressure Regulating Valve (HPR) . . . . .	† 83-6779-3
8 Drier . . . . .	89-3027-9
9 Coupling – Male, 5/8-18 . . . . .	† 83-6034-3
10 Coupling – Male, 1-1/6-12 . . . . .	† 83-6035-3

### Miscellaneous – Brackets, Screws, etc.

11 Coupling Mounting Flange for 5/8-18 . . . . .	83-6005-3
12 Coupling Mounting Flange for 1-1/16-12 . . . . .	83-6006-3
13 Receiver Mounting	
a. Bracket . . . . .	600056-1
b. Strap . . . . .	630721-4
c. Support Bracket . . . . .	000006702
d. Base . . . . .	606684-9
e. Screw, #10-24 x .50 . . . . .	† 52-0206-9

† Refer to Cross Reference Guide

# i1400 PANELS

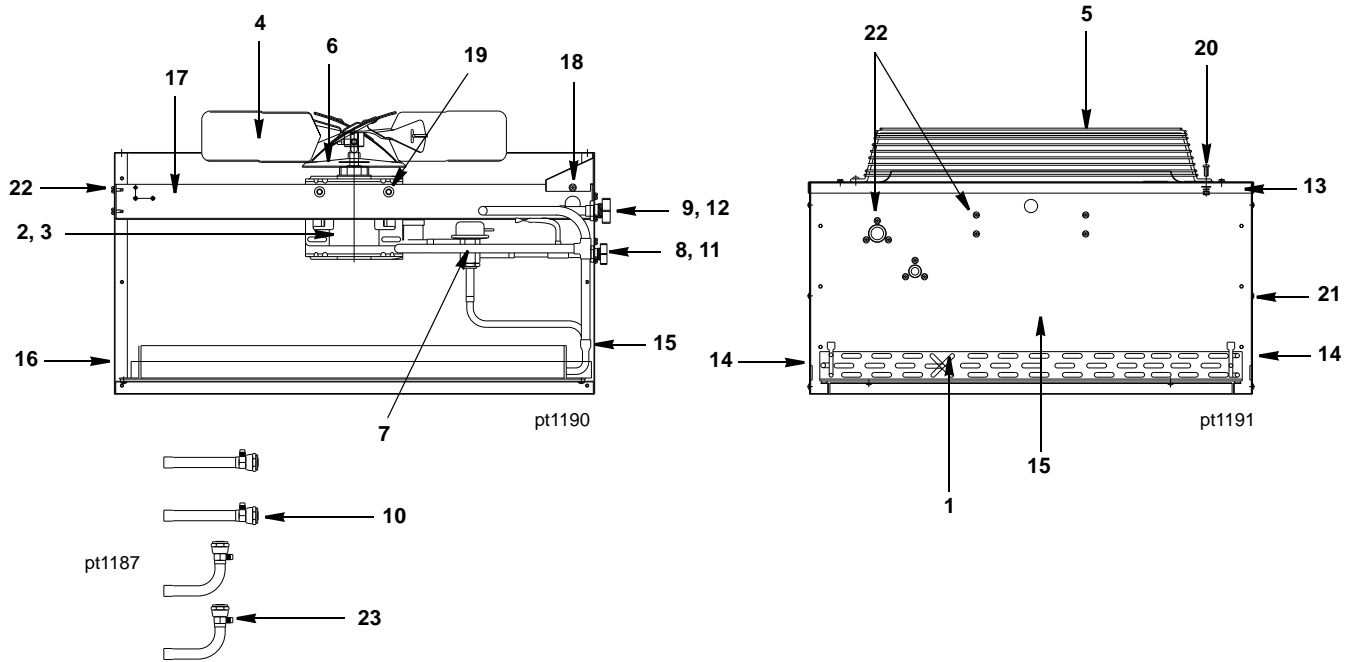


**DESCRIPTION**

	<b>PART NO.</b>
1 Left Side Panel .....	000005224
2 Right Side Panel .....	000005222
3 Top Cover .....	000008537
a. Bracket .....	000009932
4 Front Panel Assembly .....	000008081
a. Top Endcap .....	000008082
b. Bottom Endcap .....	000008083
5 Front Top Support .....	000008263
Cover .....	000009113
Mounting Screw Left Side 8-32 x 1 .....	50-0537-9
Mounting Screw Right Side 10-24 x .50 .....	50-0509-9
6 Back Coupling Panel, Drain/Water Connection (Compressor Base) .....	606590-9
<b>Air-Cooled Back Panels</b>	
7 Back Panel with Electrical Connection Box, Air-cooled Models .....	000008264
8 Air Filter .....	40-4024-3
9 Air Baffle Assembly .....	000008266
<b>Water-Cooled &amp; Remote Air-Cooled Back Panels</b>	
10 Back Panel with Electrical Connection Box, .....	606970-9
11 Back Coupling Panel, Water-Cooled/Remote Connections .....	606882-9
12 Drain Fitting .....	87-0608-3
<b>Miscellaneous – Brackets, Screws, etc.</b>	
13 Front Panel LCD Frame .....	000008090
a. With Key Guard .....	000008089
b. Without Key Guard .....	K00433
c. Display Cover (hides the display completely) .....	50-0489-9
14 Door Screw .....	000008978
15 Bottom Door Frame .....	50-0537-9
a. Mounting Screw Left Side 8-32 x 1 PHIL .....	52-0209-9
b. Mounting Screw Right Side 10/24 x .50 PHIL .....	000007900
16 Front Panel Mounting Bracket .....	50-2673-9
a. Mounting Screw 8-32 x .50 Phil .....	606729-9
17 Electrical Connection Box Cover .....	606865-9
18 Left Corner Post - Back .....	606864-9
19 Left Top Channel .....	000008752
20 Right Corner Post - Front .....	000008715
21 Right Top Channel .....	
<b>22 Electrical Box on Rear of Ice Machine</b>	
a. Box .....	606728-9
b. Terminal Block 3 Pole .....	20-0614-3
c. Groundscrew #10-24 x .50 .....	52-0216-9



# JC1395 REMOTE CONDENSER



## DESCRIPTION

	<b>PART NO.</b>
1 Air Condenser . . . . .	88-5090-3
2 Fan Motor (208-230V 50/60 Hz/1 Ph) . . . . .	† 76-2941-3
3 Fan Motor Run Capacitor (Emerson) . . . . .	85-0458-3
3 Fan Motor Run Capacitor (Magnatec) . . . . .	No Longer Available
4 Fan Blade . . . . .	24-1611-3
5 Fan Guard . . . . .	34-0064-3
6 Rain Slinger . . . . .	24-1505-3
7 Head Pressure Control . . . . .	000004070
8 Coupling – Male, 5/8-18 . . . . .	† 83-6034-3
9 Coupling – Male, 1-1/6-12 . . . . .	† 83-6035-3
10 Female Line Set Coupling Kit (Sold as Finished Goods Sales Kit) . . . . .	Sales K0129

## Miscellaneous – Brackets, Screws, etc.

11 Coupling Mounting Flange (for 5/8-18) . . . . .	83-6005-3
12 Coupling Mounting Flange (for 1-1/16-12) . . . . .	83-6006-3
13 Top Cover . . . . .	601789-1
14 Panel – Side . . . . .	† 601790-1
15 Panel – Rear . . . . .	601791-1
16 Panel – Front . . . . .	† 601792-1
17 Fan Motor Mounting Bracket . . . . .	† 601768-1
18 Electrical Box Cover . . . . .	† 601776-1
19 Fan Motor Mounting Screw (5/16-18 x 5/8) . . . . .	† 50-3565-9
a. Fan Motor Mounting Flatwasher . . . . .	† 55-7309-9
b. Fan Motor Mounting Lockwasher . . . . .	† 55-7313-9
c. Fan Motor Mounting Hexnut . . . . .	54-2975-9
20 Fan Guard Mounting Screw (1/4-20 x 5/8) . . . . .	† 50-3345-9
a. Fan Guard Mounting Flatwasher . . . . .	† 55-7304-9
b. Fan Guard Mounting Lockwasher . . . . .	† 55-4511-9
c. Fan Guard Mounting Hexnut . . . . .	† 54-2952-9
21 Panel/Condenser Mounting Screw (#8 x 1/2) . . . . .	† 51-2153-9
a. Panel/Condenser Mounting Lockwasher . . . . .	† 55-4459-9
22 Screw (#10-24 x .62) . . . . .	† 52-0205-9
23 Valve Cores (used in linesets) . . . . .	76-2684-3
24 Legs (Not shown) . . . . .	† 601769-1

**INTENTIONALLY LEFT BLANK**