



WELLS MANUFACTURING COMPANY
2 ERIK CIRCLE, P. O. Box 280
Verdi, NV 89439
telephone: 775-689-5700
fax: 888-492-2783
www.wellsbloomfield.com

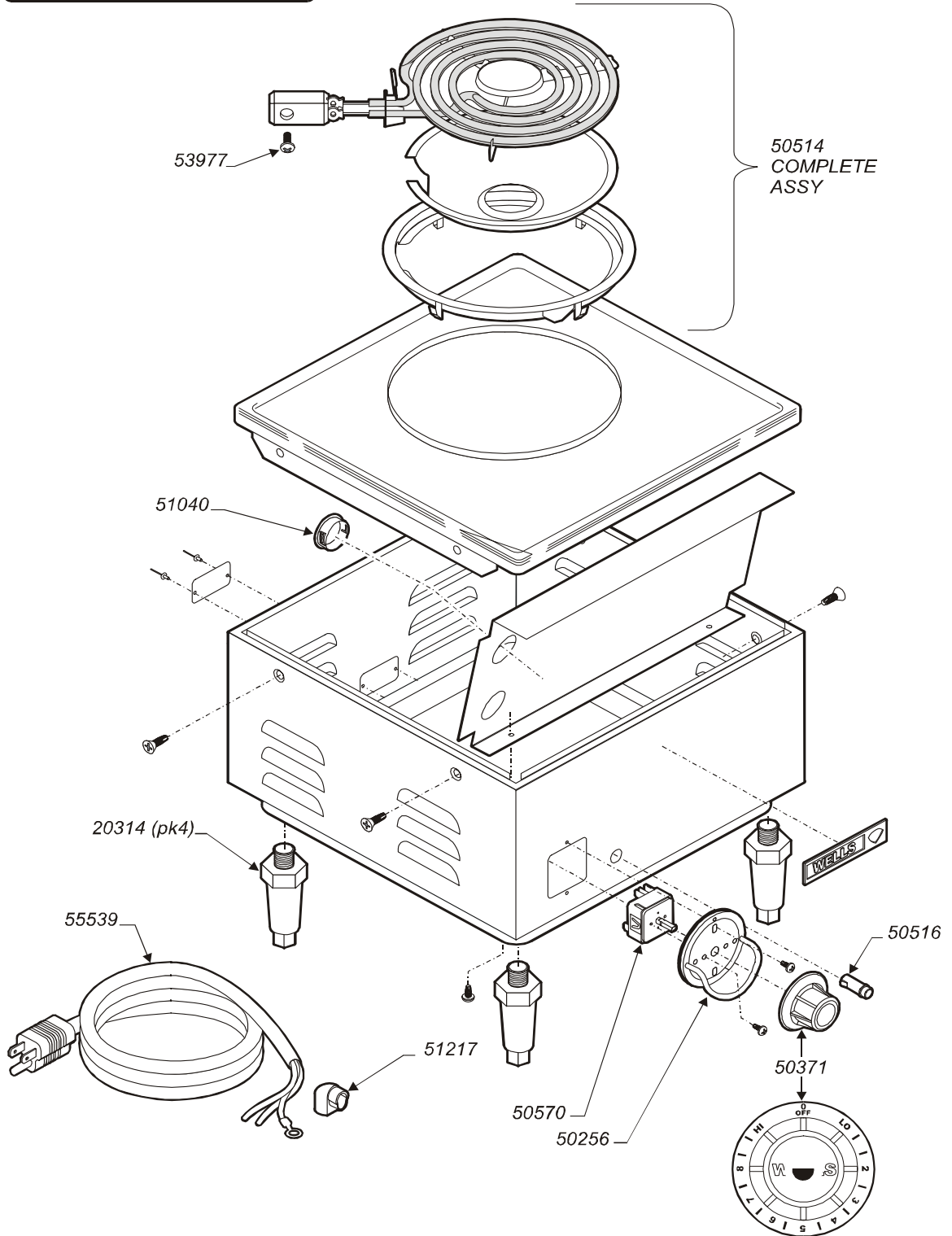
SERVICE PARTS LIST PL221
Countertop Electric Hotplates
MODELS H-33, H-63 H-65, H-70 & H-115

CONTENTS

Description	page
Parts List	2
H33	3
H63	4
H65	5
H70	6
H115	7

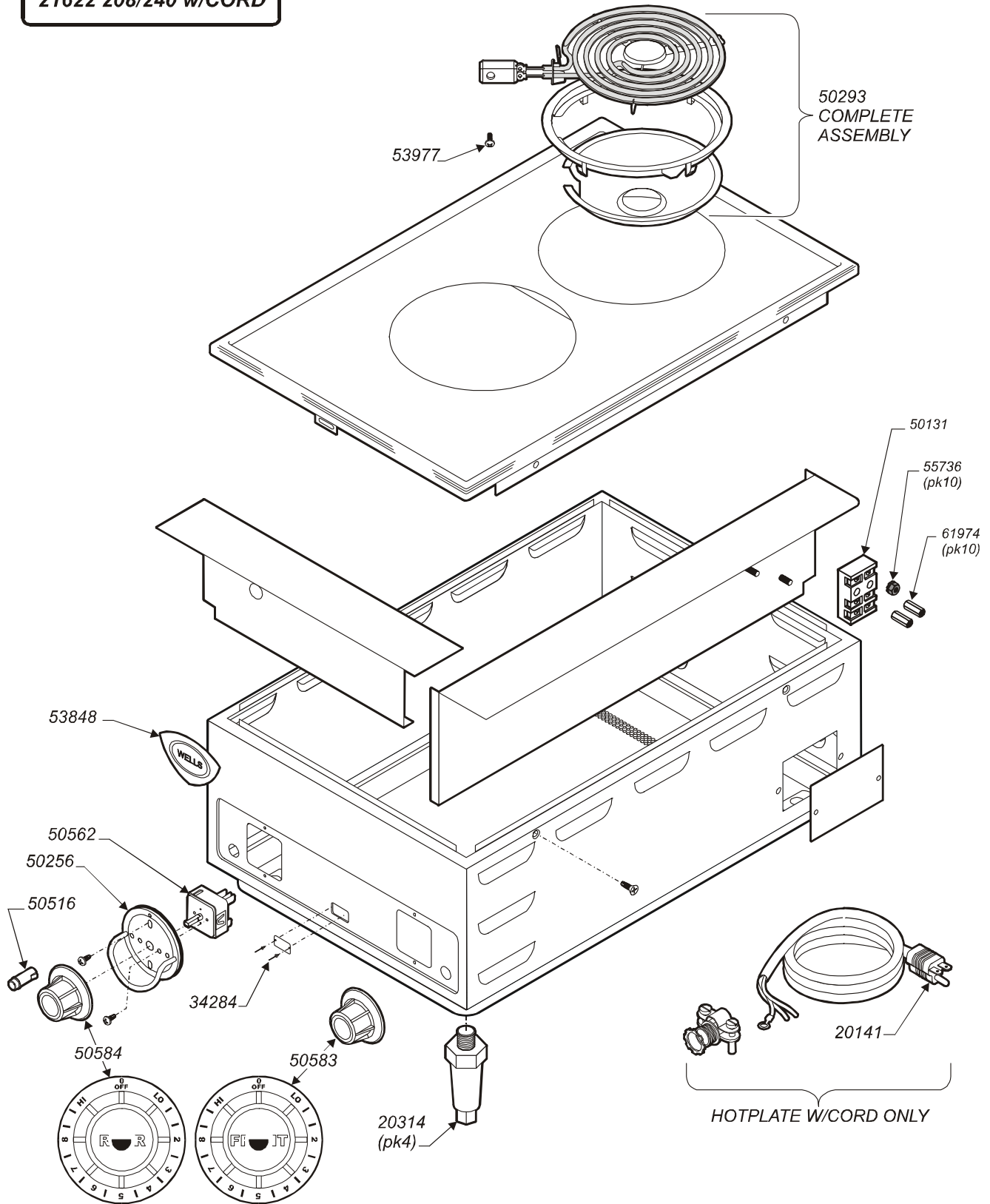
H-33 COUNTERTOP ELECTRIC HOTPLATE - 115V - SPIRAL ELEMENT

20192 H33 COUNTERTOP
ELECTRIC HOTPLATE 115VAC



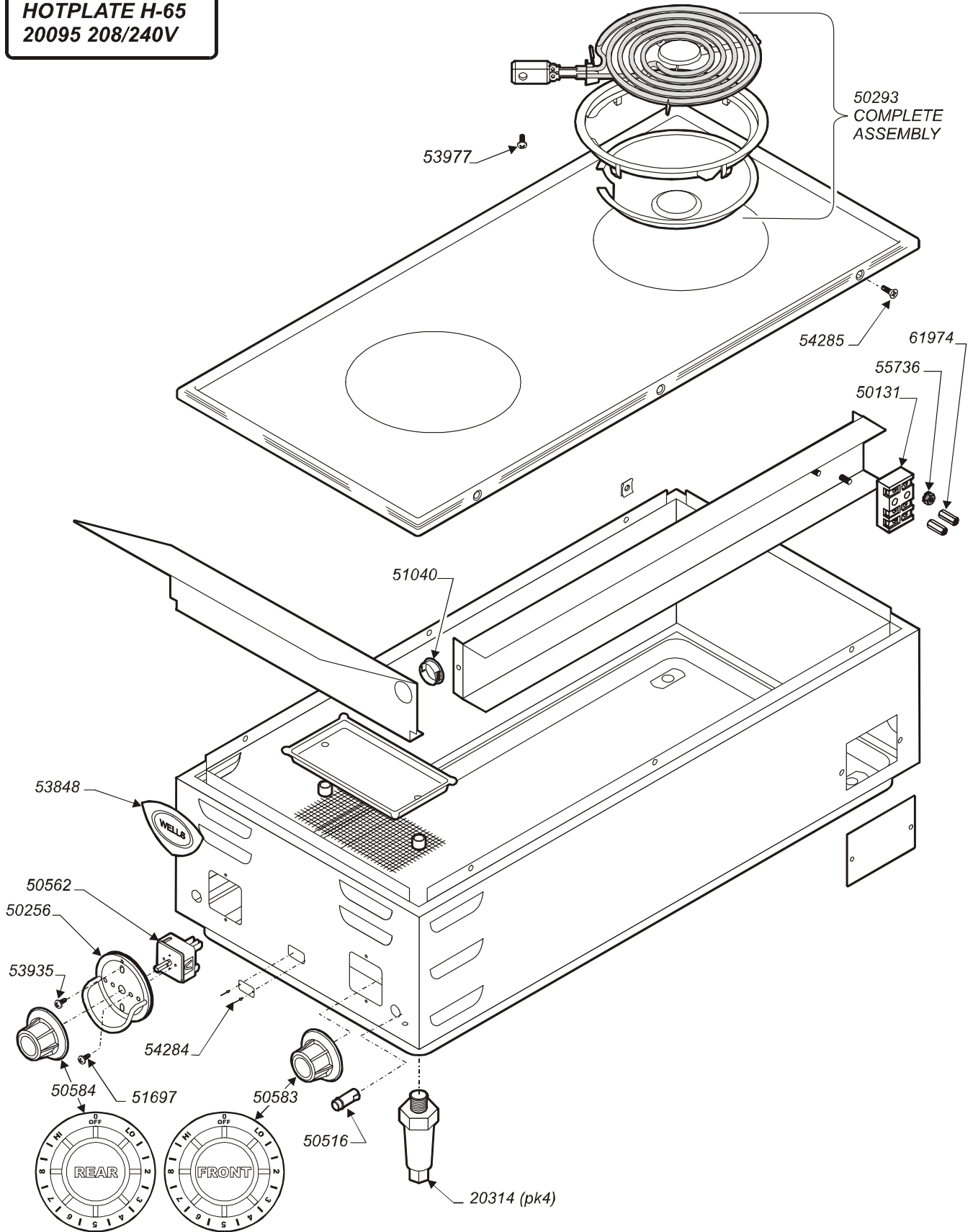
H-63 COUNTERTOP ELECTRIC HOTPLATE - 208/240V - SPIRAL ELEMENT

HOTPLATE H-63
20093 208/240V
21622 208/240 w/CORD

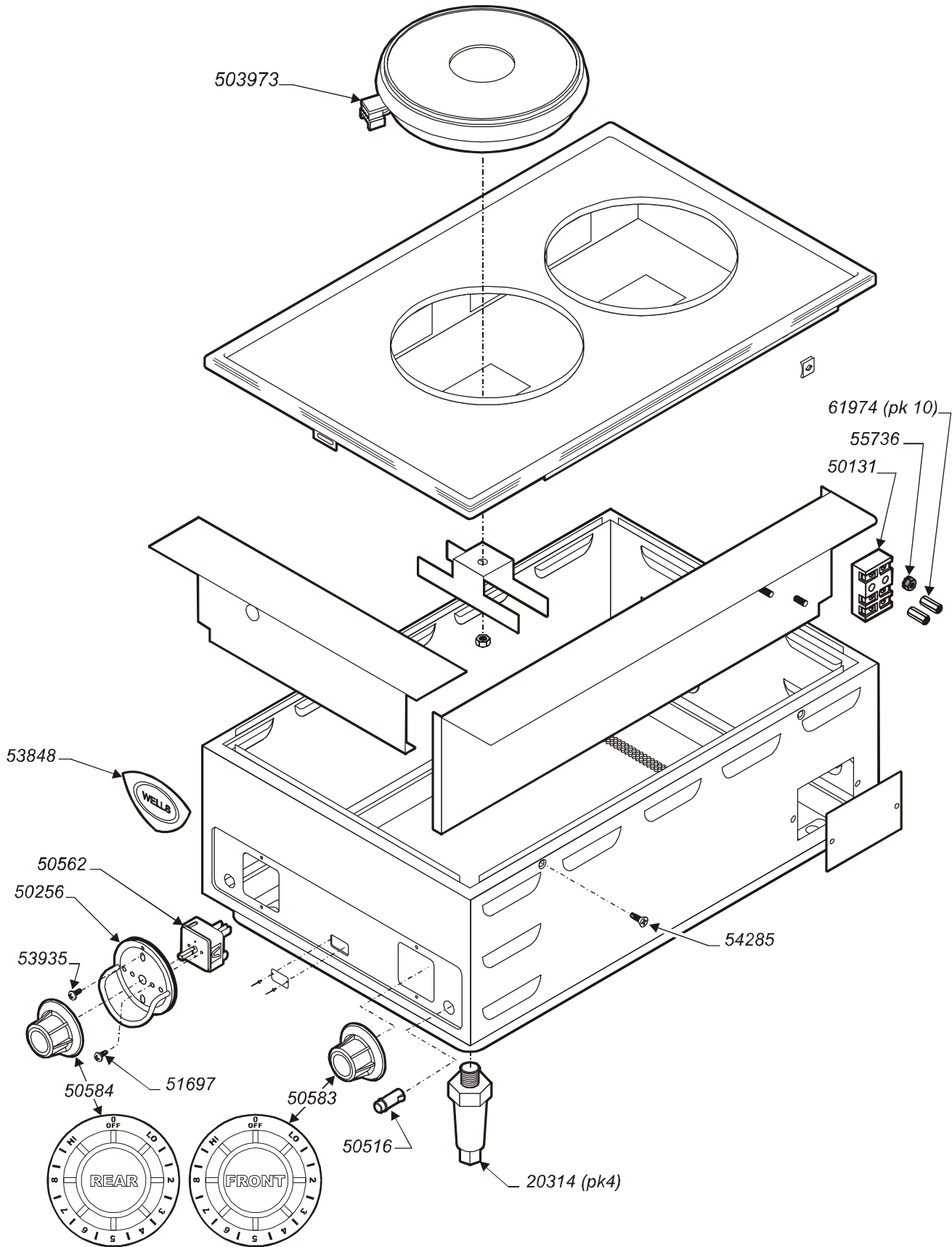


H-65 COUNTERTOP ELECTRIC HOTPLATE - 208/240V - SPIRAL ELEMENT

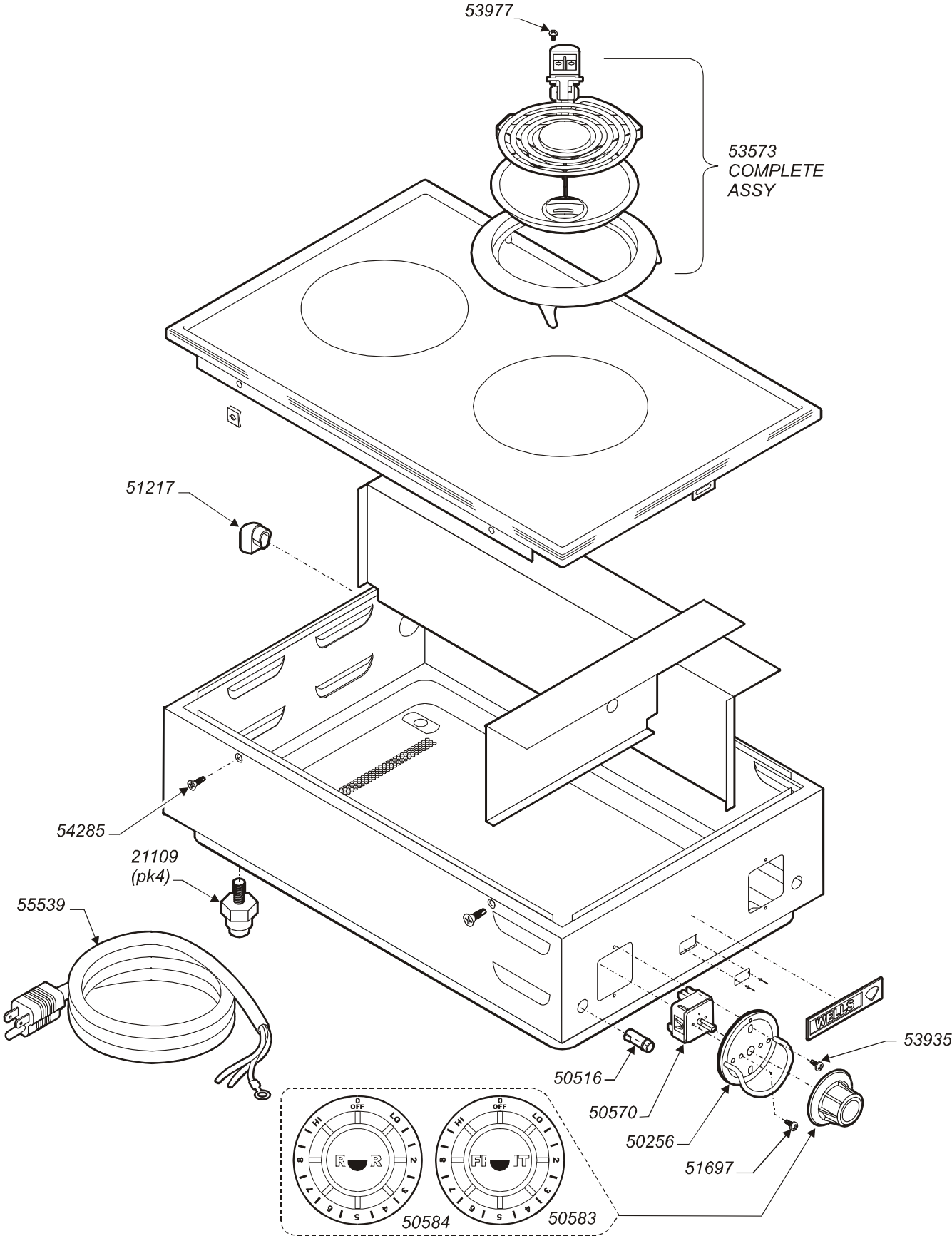
HOTPLATE H-65
20095 208/240V



H-70 COUNTERTOP ELECTRIC HOTPLATE - 208/240V - SOLID (FRENCH PLATE) ELEMENT



H-115 COUNTERTOP ELECTRIC HOTPLATE - 120V - SPIRAL ELEMENT





*Wells Manufacturing proudly supports CFESA
Commercial Food Equipment Service Association*

SERVICE TRAINING - QUALITY SERVICE



CUSTOMER SATISFACTION



WELLS

WELLS MANUFACTURING COMPANY - Division of CARRIER COMMERCIAL REFRIGERATION
2 ERIK CIRCLE, P. O. Box 280

Verdi, NV 89439

telephone: 775-689-5700

fax: 888-492-2783

www.wellsbloomfield.com