

3A/3B/3C/3D Series Hot Food Servers

Models:

- 3A20A
- 3A80A
- 3A81D
- 3B20A
- 3B70A
- 3B80A
- 3B84A
- 3B22D
- 3B72D
- 3B82D
- 3B84D
- 3C80A
- 3C84A
- 3C8XD
- 3C84D
- 3D8XD

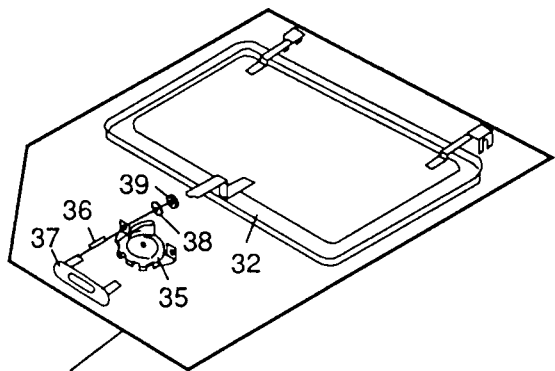
PARTS MANUAL

for domestic and standard export hot food servers

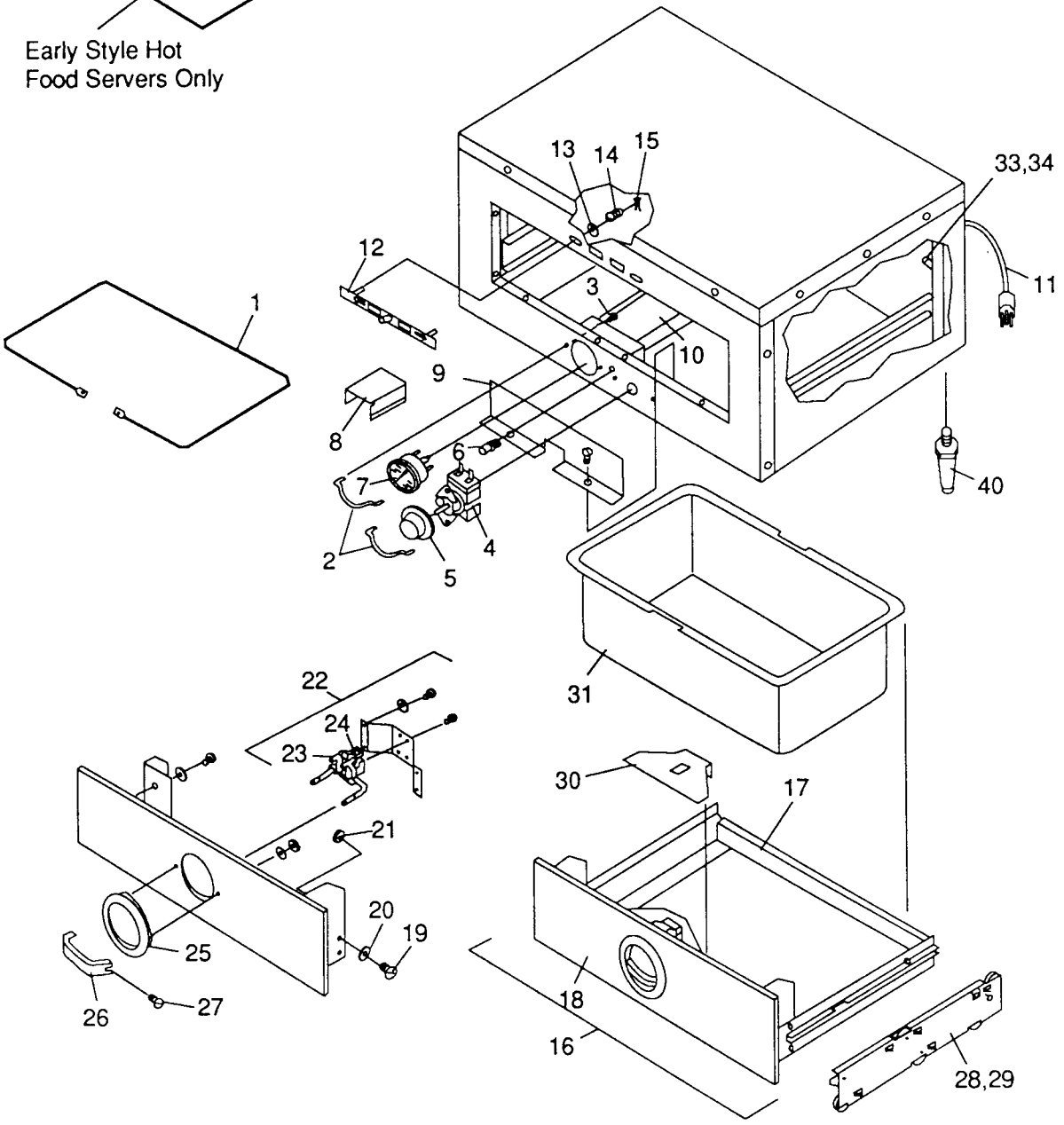
© 2000 Toastmaster, A Middleby Company.

Toastmaster is a registered trademark of Toastmaster, A Middleby Company. All rights reserved.
Middleby Cooking Systems Group • 1400 Toastmaster Drive • Elgin, IL 60120 • (847)741-3300 • FAX (847)741-4406

3A/3B/3C/3D
Series



Early Style Hot
Food Servers Only



3A/3B/3C/3D
Series

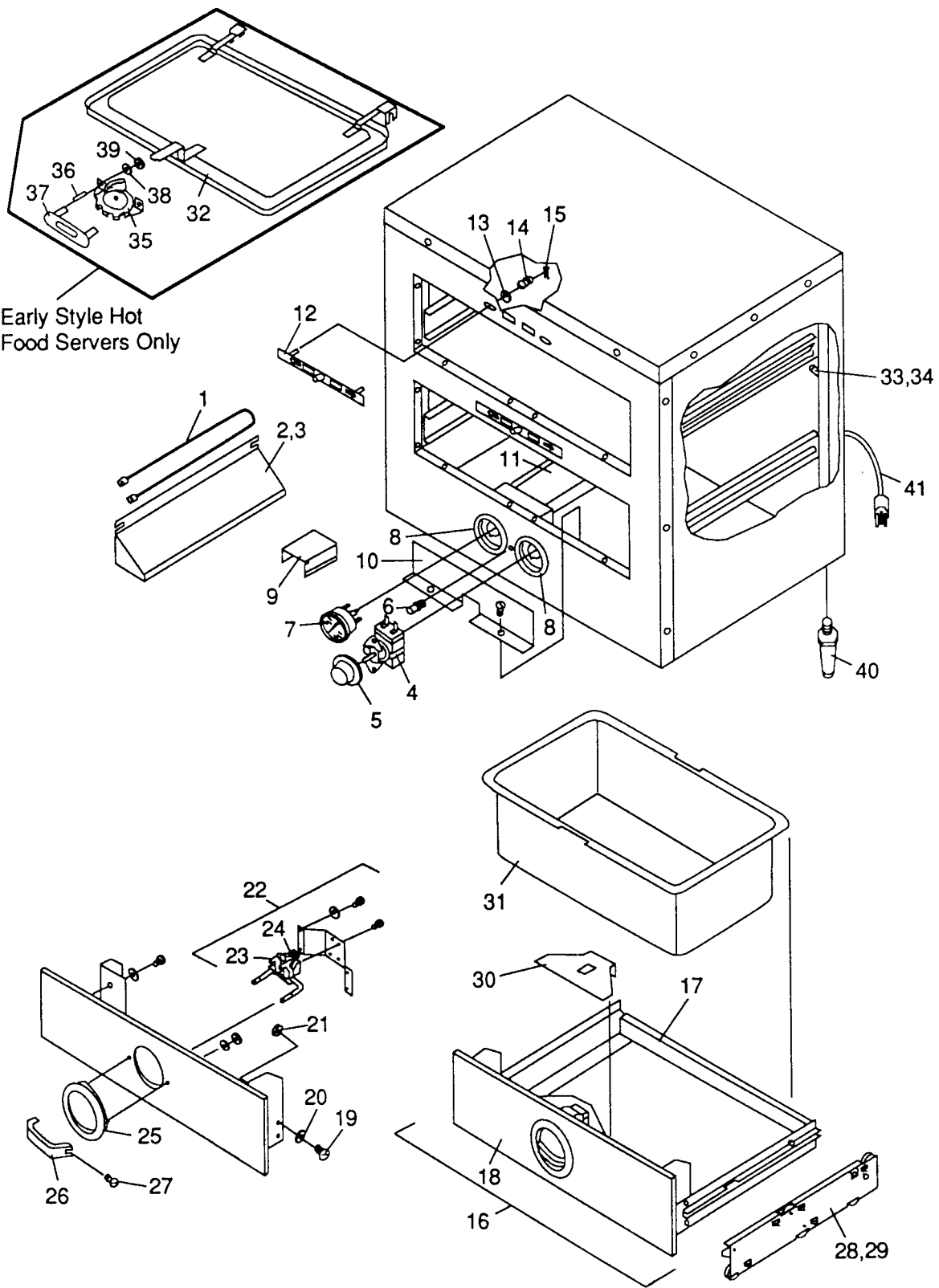
**ONE DRAWER HOT FOOD SERVERS
MODELS 3A20A, 3A80A & 3A81D
PARTS LIST**

ITEM NO.	QTY	PART NO. MODEL 3A20A	PART NO. MODEL 3A80A, 3A81D	DESCRIPTION
1	1	3A20A8701	3A81D8701	HEATING ELEMENT - 450W - 115V
1	1	3A20A8703	3A81D8703	HEATING ELEMENT - 450W - 230V
2	2	3A80A3007	3A80A3007	KNOB GUARD
3	4	K1DS195	K1DS195	KNOB GUARD SCREW
4	1	3B70A8929	3B70A8929	THERMOSTAT 100° -200° F
5	1	2100087	2100087	CONTROL KNOB - (0-10-OFF)
6	1	E336A0115	E336A0115	SIGNAL LIGHT RED - 120V
6	1	E336A0116	E336A0116	SIGNAL LIGHT RED - 230V
7	1	3004112	3004112	THERMOMETER
8	1	7005899	7005899	THERMOSTAT COVER
9	1	7007055	7007055	THERMOSTAT BAFFLE
10	1	7007052	7007052	WIRE RACEWAY
11	1	3001060	3001060	CORD - 125V
11	1	1511E8707	1511E8707	CORD - 250V
12	1	7610283	7610238	SLIDE PLATE ASS'Y
13	2	2001863	2001863	FLAT WASHER
14	2	3103260	3103260	SPRING
15	2	2002350	2002350	COTTER PIN
16	1	3B22D0143	3B82D0179	DRAWER CARRIAGE ASS'Y w/FRONT
17	1	3B22D0079	3B82D0151	DRAWER CARRIAGE ASS'Y w/o FRONT
18	1	3B72D0147	3B82D0177	DRAWER FRONT CATCH AND TRUSS ASS'Y
19	8	B301A8843	B301A8843	CAP SCREW, 1/4-20 x 1/2" HEX HEAD
20	8	1411D8811	1411D8811	LOCKWASHER, 1/4" INTERNAL
21	4	B301A8817	B301A8817	HEX NUT, 1/4-20 STEEL
22	1	3B82D0175	3B82D0175	DRAWER CATCH BRACKET AND TRUSS ASS'Y
23	1	3B82D0087	3B82D0087	DRAWER CATCH ASS'Y
24	1	3B82D8401	3B82D8401	DRAWER CATCH SPRING
25	1	7608910	7608910	DRAWER HANDLE CUP ASS'Y
26	1	3101758	3101758	DRAWER HANDLE
27	2	3B82D8807	3B82D8807	MACHINE SCREW, 8-32 x 3/8" FLAT HEAD
28	1	3B22D0041	3B82D0067	THIRD MEMBER, RIGHT
29	1	3B22D0045	3B82D0069	THIRD MEMBER, LEFT
30	1	7007086	7007086	COVER LATCH DRAWER
31	1	3B22D8411	3B82D8411	DRAWER PAN
NOTE: DRAWER COVER ASSEMBLY ITEMS 32 THRU 39, EARLY STYLE UNITS ONLY				
32	1	3B22D0141	7606338	DRAWER COVER ASS'Y
33	2	3B82D5061	3B82D5061	COVER PIVOT PIN, SLEEVE
34	2	4111A8813	4111A8813	COVER PIVOT SCREW, RHM 10-32 X 1/4NP
35	1	3B82D0035	3B82D0035	CONTROL WHEEL AND BRACKET ASS'Y
36	2	3B82D8309	3B82D8309	SPACER
37	1	7608909	7608909	COVER CONTROL PLATE ASS'Y
38	4	4111A8807	4111A8807	LOCKWASHER, #8 EXTERNAL
39	2	1429A8827	1429A8827	HEX NUT, 8-32
40	1	N/A	1523B0003	ADJ. LEG - SET OF 4 - FREESTANDING
41	4	N/A	1523B8301	ADJ. LEG - INDIV. - FREESTANDING

FRONT CASE ASSEMBLIES (FRONT PANELS)

Model	Part #	Voltage
3A20A	7609026	ALL
3A80A	7609018	ALL
3A81D	7609031	ALL

3A/3B/3C/3D Series

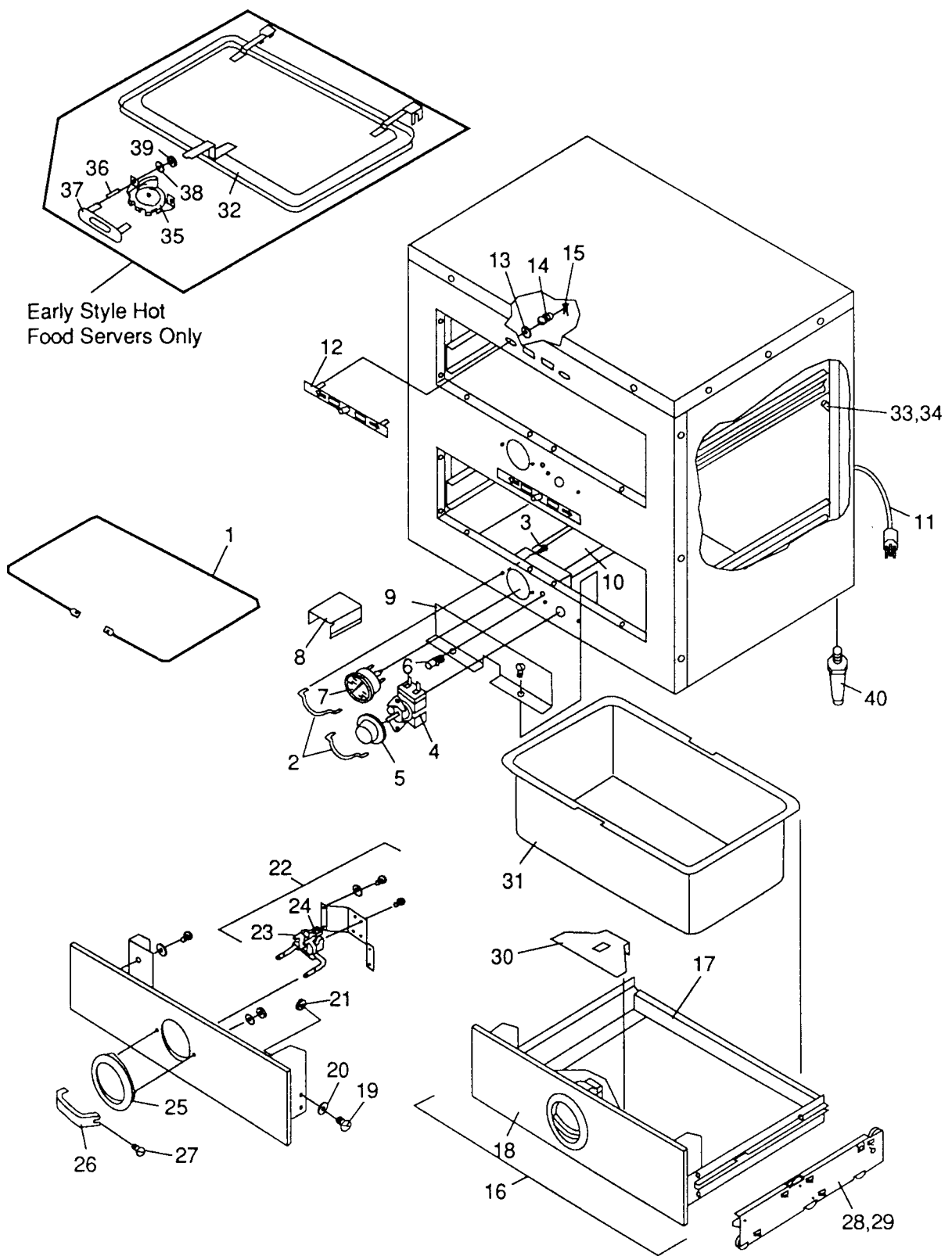


TWO DRAWER HOT FOOD SERVERS
MODELS 3B20A, 3B22D, 3B70A, 3B72D, 3B80A & 3B82D
PARTS LIST

ITEM NO.	QTY	PART NO.	PART NO.	PART NO.	DESCRIPTION
		MODELS	MODELS	MODELS	
		3B20A	3B70A	3B80A	
		3B22D	3B72D	3B82D	
1	2	3B82D8701	N/A	3B82D8701	HEATING ELEMENT - 110V - 500W
1	2	N/A	3B72D8701	N/A	HEATING ELEMENT - 110V - 400W
2	1	3B22D0029	3B72D0041	3B82D0047	ELEMENT SHEATH ASS'Y, RIGHT
3	1	3B22D0031	3B72D0043	3B82D0049	ELEMENT SHEATH ASS'Y, LEFT
4	1	3B70A8929	3B70A8929	3B70A8929	THERMOSTAT 100° -200° F
5	1	2100087	2100087	2100087	CONTROL KNOB - (0-10-OFF)
6	1	3B82D0053	3B82D0053	3B82D0053	SIGNAL LIGHT RED - 125V
6	1	3B82D0181	3B82D0181	3B82D0181	SIGNAL LIGHT RED - 230V
7	1	3004112	3004112	3004112	THERMOMETER
8	2	7609086	7609086	7609086	MOUNTING CUP
9	1	7005909	7005909	7005909	THERMOSTAT COVER
10	1	7007055	7007055	7007055	THERMOSTAT BAFFLE
11	1	7007052	7007052	7007052	WIRE RACEWAY
12	2	7610283	7610283	7610283	SLIDE PLATE ASS'Y
13	4	2001863	2001863	2001863	FLAT WASHER
14	4	3103260	3103260	3103260	SPRING
15	4	2002350	2002350	2002350	COTTER PIN
16	2	3B22D0143	3B72D0149	3B82D0179	DRAWER CARRIAGE ASS'Y w/Front
17	2	3B22D0079	3B72D0101	3B82D0151	DRAWER CARRIAGE ASS'Y w/o FRONT
18	2	3B72D0147	3B72D0147	3B82D0177	DRAWER FRONT CATCH AND TRUSS ASS'Y
19	16	B301A8843	B301A8843	B301A8843	CAP SCREW, 1/4-20 x 1/2" HEX HEAD
20	16	1411D8811	1411D8811	1411D8811	LOCKWASHER, 1/4" INTERNAL
21	8	B301A8817	B301A8817	B301A8817	HEX NUT, 1/4-20 STEEL
22	2	3B82D0175	3B82D0175	3B82D0175	DRAWER CATCH BRACKET AND TRUSS ASS'Y
23	2	3B82D0087	3B82D0087	3B82D0087	DRAWER CATCH ASS'Y
24	2	3B82D8401	3B82D8401	3B82D8401	DRAWER CATCH SPRING
25	2	7608910	7608910	7608910	DRAWER HANDLE CUP ASS'Y
26	2	3101758	3101758	3101758	DRAWER HANDLE
27	4	3B82D8807	3B82D8807	3B82D8807	MACHINE SCREW, 8-32 x 3/8" FLAT HEAD
28	2	3B22D0041	3B72D0055	3B82D0067	THIRD MEMBER, RIGHT
29	2	3B22D0045	3B72D0057	3B82D0069	THIRD MEMBER, LEFT
30	2	7007086	7007086	7007086	COVER LATCH DRAWER
31	2	3B22D8411	3B72D8411	3B82D8411	DRAWER PAN
NOTE: DRAWER COVER ASSEMBLY, ITEMS 32 THRU 39, EARLY STYLE UNITS ONLY					
32	2	7606340	3B72D0146	7606338	DRAWER COVER ASS'Y
33	4	3B82D5061	3B82D5061	3B82D5061	COVER PIVOT PIN, SLEEVE
34	4	4111A8813	4111A8813	4111A8813	COVER PIVOT SCREW, RHM 10-32 X 1/4NP
35	2	3B82D0035	3B832D0035	3B82D0035	CONTROL WHEEL AND BRACKET ASS'Y
36	4	3B82D8309	3B82D8309	3B82D8309	SPACER
37	2	7608909	7608909	7608909	COVER CONTROL PLATE ASS'Y
38	4	4111A8807	4111A8807	4111A8807	LOCKWASHER, #8 EXTERNAL
39	4	B301A8857	B301A8857	B301A8857	HEX NUT, 8-32
40	1	1523B0003	1523B0003	1523B0003	ADJ. LEG - SET OF 4 FREESTANDING
40	4	1523B8301	1523B8301	1523B8301	ADJ. LEG - INDIV. - FREESTANDING
41	1	1511E8705	1511E8705	1511E8705	CORD - 115V
41	1	151138707	1511E8707	1511E8707	CORD - 220V

FRONT CASE ASSEMBLIES (FRONT PANELS)

Model	Part #	Voltage
3B20A	7609112	ALL
3B22D	7609083	ALL
3B70A	7609112	ALL
3B72D	7609083	ALL
3B80A	7609114	ALL
3B82D	7609158	ALL



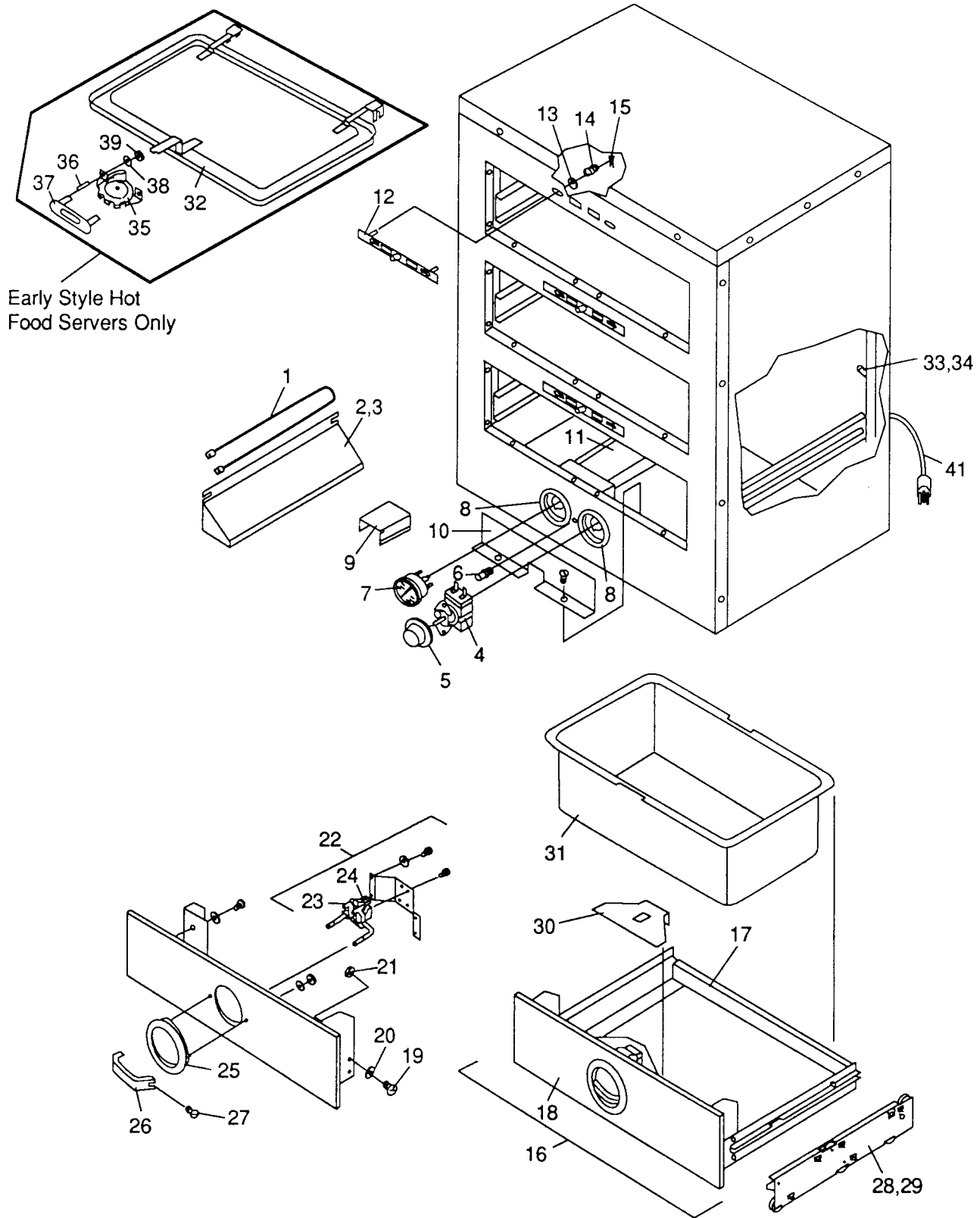
3A/3B/3C/3D
Series

**HOT FOOD SERVERS WITH
INDIVIDUAL TEMPERATURE CONTROLS FOR EACH DRAWER
MODEL 3B84D - FREESTANDING
MODEL 3C84D - FREESTANDING
MODEL 3B84A - BUILT-IN
MODEL 3C84A - BUILT-IN**

ITEM NO.	2 DRAWER Models 3B84D & 3B84A	3 DRAWER Models 3C84D & 3C84A	PART NO.	DESCRIPTION
1	2	3	3A81D8701	HEATING ELEMENT - 450W/115V
1	2	3	3A81D8703	HEATING ELEMENT - 450W/220V
2	4	6	3A80A3007	KNOB GUARD
3	8	12	K1DS195	KNOB GUARD SCREW, PHMS 8-40 x 1/4
4	2	3	3B70A8929	THERMOSTAT 100° -200° F
5	2	3	2100087	CONTROL KNOB - (0-10-OFF)
6	2	3	E336A0115	SIGNAL LIGHT RED - 115V
6	2	3	E336A0116	SIGNAL LIGHT RED - 230V
7	2	3	3004112	THERMOMETER
8	2	3	7005899	THERMOSTAT COVER
9	1	1	7007055	THERMOSTAT BAFFLE
10	1	1	7007052	WIRE RACEWAY - GUARD WIRE
11	1	1	1511E8705	CORD - 125V
11	1	1	1511E8707	CORD - 250V
12	2	3	7610238	SLIDE PLATE ASS'Y
13	4	6	2001863	FLAT WASHER
14	4	6	3103260	SPRING
15	4	6	2002350	COTTER PIN
16	2	3	3B82D0179	DRAWER CARRIAGE ASS'Y w/FRONT
17	2	3	3B82D0151	DRAWER CARRIAGE ASS'Y w/o FRONT
18	2	3	3B82D0177	DRAWER FRONT CATCH AND TRUSS ASS'Y
19	16	24	B301A8843	CAP SCREW, 1/4-20 x 1/2" HEX HEAD
20	16	24	1411D8811	LOCKWASHER, 1/4" INTERNAL
21	8	12	B301A8817	HEX NUT, 1/4-20 STEEL
22	2	3	3B82D0175	DRAWER CATCH BRACKET AND TRUSS ASS'Y
23	2	3	3B82D0087	DRAWER CATCH ASS'Y
24	2	3	3B82D8401	DRAWER CATCH SPRING
25	2	3	7608910	DRAWER HANDLE CUP ASS'Y
26	2	3	3101758	DRAWER HANDLE
27	4	6	3B82D8807	MACHINE SCREW, 8-32 x 3/8" FLAT HEAD
28	2	3	3B32D0067	THIRD MEMBER CHANNEL, RIGHT
29	2	3	3B82D0069	THIRD MEMBER CHANNEL, LEFT
30	2	3	7007086	COVER LATCH, DRAWER
31	2	3	3B82D8411	DRAWER PAN
NOTE: DRAWER COVER ASSEMBLY, ITEMS 32 THRU 39, EARLY STYLE UNITS ONLY				
32	2	3	7606338	DRAWER COVER ASS'Y
33	4	6	3B82D5061	COVER PIVOT PIN, SLEEVE
34	4	6	4111A8813	COVER PIVOT SCREW, RHM 10-32 X 1/4NP
35	2	3	3B82D0035	CONTROL WHEEL AND BRACKET ASS'Y
36	4	6	3B82D8309	SPACER
37	2	3	7608909	COVER CONTROL PLATE ASS'Y
38	4	6	4111A8807	LOCKWASHER, #8 EXTERNAL
39	4	6	B301A8857	HEX NUT, 8-32
40	1	N/A	1523B0003	LEG BLK PLASTIC - SET 4 (2 DR. FREESTANDING)
40	4	N/A	1523B8301	LEG BLK PLASTIC - INDIV. (2 DR. FREESTANDING)

FRONT CASE ASSEMBLIES (FRONT PANELS)

Model	Part #	Voltage
3B84A	7609137	115 VAC
3B84A	7609138	220 VAC
3B84D	7609124	115 VAC
3B84D	7609125	220 VAC
3C84A	7609148	115 VAC
3C84A	7609149	220 VAC
3C84D	7609133	115 VAC
3C84D	7609134	220 VAC



3A/3B/3C/3D
Series

**THREE AND FOUR DRAWER HOT FOOD SERVERS
MODELS 3C80A, 3C8XD & 3D8XD
PARTS LIST**

ITEM NO.	QUANTITY		PART NO.	DESCRIPTION
	3 DRAWER	4 DRAWER		
1	2	2	3D8XD8701	HEATING ELEMENT - 675W - 110V
2	1	1	3B82D0047	ELEMENT SHEATH ASS'Y, RIGHT
3	1	1	3B82D0049	ELEMENT SHEATH ASS'Y, LEFT
4	1	1	3B70A8929	THERMOSTAT 100° -200° F
5	1	1	2100087	CONTROL KNOB - (0-10-OFF)
6	1	1	3B82D0053	SIGNAL LIGHT RED - 115V
6	1	1	3B82D0181	SIGNAL LIGHT RED - 230V
7	1	1	3004112	THERMOMETER
8	1	1	7609086	MOUNTING CUP
9	1	1	7005909	THERMOSTAT COVER
10	1	1	7007055	THERMOSTAT BAFFLE
11	1	1	7007052	GUARD WIRE
12	3	4	7610238	SLIDE PLATE ASS'Y
13	6	8	2001863	FLATWASHER
14	6	8	3103260	SPRING
15	6	8	2002350	COTTER PIN
16	3	4	3B82D0179	DRAWER CARRIAGE ASS'Y w/Front
17	3	4	3B82D0151	DRAWER CARRIAGE ASS'Y w/o Front
18	3	4	3B82D0177	DRAWER FRONT CATCH AND TRUSS ASS'Y
19	24	32	B301A8843	CAP SCREW, 1/4-20 x 1/2" HEX HEAD
20	24	32	1411D8811	LOCKWASHER, 1/4" INTERNAL
21	12	16	B301A8817	HEX NUT, 1/4-20 STEEL
22	3	4	3B82D0175	DRAWER CATCH BRACKET AND TRUSS ASS'Y
23	3	4	3B82D0087	DRAWER CATCH ASS'Y
24	3	4	3B82D8401	DRAWER CATCH SPRING
25	3	4	7608910	DRAWER HANDLE CUP ASS'Y
26	3	4	3101758	DRAWER HANDLE
27	6	8	3B82D8807	MACHINE SCREW, 8-32 x 3/8" FLAT HEAD
28	3	4	3B82D0067	THIRD MEMBER CHANNEL, RIGHT
29	3	4	3B82D0069	THIRD MEMBER CHANNEL, LEFT
30	3	4	7007086	COVER LATCH DRAWER
31	3	4	3B82D8411	DRAWER PAN
NOTE: DRAWER COVER ASSEMBLY, ONLY ITEMS 32 THRU 39, EARLY STYLE UNITS				
32	3	4	7606338	DRAWER COVER ASS'Y
33	6	8	3B82D5061	COVER PIVOT PIN, SLEEVE
34	6	8	4111A8813	COVER PIVOT SCREW, RHM 10-32 X 1/4NP
35	6	8	3B82D0035	CONTROL WHEEL AND BRACKET ASS'Y
36	6	8	3B82D8309	SPACER
37	3	4	7608909	COVER CONTROL PLATE ASS'Y
38	3	4	4111A8807	LOCKWASHER, #8 EXTERNAL
39	6	8	B301A8857	HEX NUT, 8-32
41	1	1	1511E8705	CORD - 125V
41	1	1	1511E8707	CORD - 250V

FRONT CASE ASSEMBLIES (FRONT PANELS)

Model	Part #	Voltage
3C80A	7609117	ALL
3C8XD	7609096	ALL
3D8XD	7609106	ALL

**3A/3B/3C/3D
Series**

WARNING

Improper installation, adjustment, alteration, service or maintenance can cause property damage, injury or death. Read the installation, operating and maintenance instructions thoroughly before installing or servicing this equipment.

NOTICE

During the warranty period, ALL parts replacement and servicing should be performed by your Toastmaster Authorized Service Agent. Service that is performed by parties other than your Toastmaster Authorized Service Agent may void your warranty.

NOTICE

Using any parts other than genuine Toastmaster factory manufactured parts relieves the manufacturer of all warranty and liability.

NOTICE

Toastmaster reserves the right to change specifications at any time.

3A/3B/3C/3D
Series

Middleby Cooking Systems Group • 1400 Toastmaster Drive • Elgin, IL 60120 • USA • (847)741-3300 • FAX (847)741-4406

24-Hour Service Hotline: 1-(800)-238-8444

www.middleby.com

